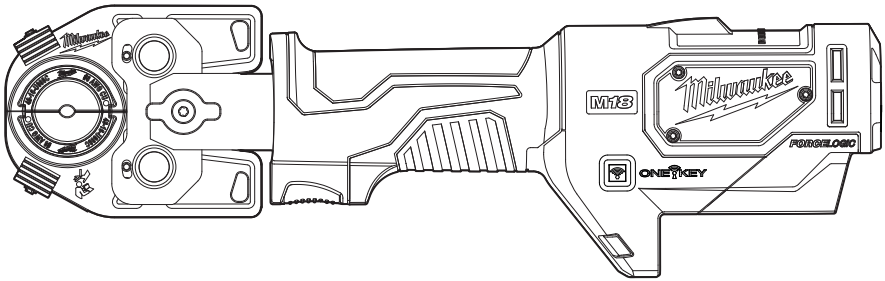




OPERATOR'S MANUAL
MANUEL de L'UTILISATEUR
MANUAL del OPERADOR



Cat. No. / No de cat.
2679-20

M18™ FORCE LOGIC™ 600 MCM CRIMPER
SERTISSEUR UTILITAIRE 600 MCM M18™ FORCE LOGIC™
CRIMPADORA 600 MCM UTILITARIA M18™ FORCE LOGIC™



WARNING To reduce the risk of injury, user must read and understand operator's manual.

AVERTISSEMENT Afin de réduire le risque de blessures, l'utilisateur doit lire et bien comprendre le manuel.

ADVERTENCIA Para reducir el riesgo de lesiones, el usuario debe leer y entender el manual.

GENERAL POWER TOOL SAFETY WARNINGS

⚠WARNING Read all safety warnings, instructions, illustrations and specifications provided with this power tool. Failure to follow all instructions listed below may result in electric shock, fire and/or serious injury. **Save all warnings and instructions for future reference.** The term "power tool" in the warnings refers to your mains-operated (corded) power tool or battery-operated (cordless) power tool.

WORK AREA SAFETY

- **Keep work area clean and well lit.** Cluttered or dark areas invite accidents.
- **Do not operate power tools in explosive atmospheres, such as in the presence of flammable liquids, gases or dust.** Power tools create sparks which may ignite the dust or fumes.
- **Keep children and bystanders away while operating a power tool.** Distractions can cause you to lose control.

ELECTRICAL SAFETY

- **Power tool plugs must match the outlet. Never modify the plug in any way. Do not use any adapter plugs with earthed (grounded) power tools.** Unmodified plugs and matching outlets will reduce risk of electric shock.
- **Avoid body contact with earthed or grounded surfaces, such as pipes, radiators, ranges and refrigerators.** There is an increased risk of electric shock if your body is earthed or grounded.
- **Do not expose power tools to rain or wet conditions.** Water entering a power tool will increase the risk of electric shock.
- **Do not abuse the cord. Never use the cord for carrying, pulling or unplugging the power tool. Keep cord away from heat, oil, sharp edges or moving parts.** Damaged or entangled cords increase the risk of electric shock.
- **When operating a power tool outdoors, use an extension cord suitable for outdoor use.** Use of a cord suitable for outdoor use reduces the risk of electric shock.
- **If operating a power tool in a damp location is unavoidable, use a ground fault circuit interrupter (GFCI) protected supply.** Use of an GFCI reduces the risk of electric shock.

PERSONAL SAFETY

- **Stay alert, watch what you are doing and use common sense when operating a power tool. Do not use a power tool while you are tired or under the influence of drugs, alcohol or medication.** A moment of inattention while operating power tools may result in serious personal injury.
- **Use personal protective equipment. Always wear eye protection.** Protective equipment such as a dust mask, non-skid safety shoes, hard hat or hearing protection used for appropriate conditions will reduce personal injuries.
- **Prevent unintentional starting. Ensure the switch is in the off-position before connecting to power source and/or battery pack, picking up or carrying the tool.** Carrying power tools with your finger on the switch or energizing power tools that have the switch on invites accidents.
- **Remove any adjusting key or wrench before turning the power tool on.** A wrench or a key left

attached to a rotating part of the power tool may result in personal injury.

- **Do not overreach. Keep proper footing and balance at all times.** This enables better control of the power tool in unexpected situations.
- **Dress properly. Do not wear loose clothing or jewelry. Keep your hair and clothing away from moving parts.** Loose clothes, jewelry or long hair can be caught in moving parts.
- **If devices are provided for the connection of dust extraction and collection facilities, ensure these are connected and properly used.** Use of dust collection can reduce dust-related hazards.
- **Do not let familiarity gained from frequent use of tools allow you to become complacent and ignore tool safety principles.** A careless action can cause severe injury within a fraction of a second.

POWER TOOL USE AND CARE

- **Do not force the power tool. Use the correct power tool for your application.** The correct power tool will do the job better and safer at the rate for which it was designed.
- **Do not use the power tool if the switch does not turn it on and off.** Any power tool that cannot be controlled with the switch is dangerous and must be repaired.
- **Disconnect the plug from the power source and/or remove the battery pack, if detachable, from the power tool before making any adjustments, changing accessories, or storing power tools.** Such preventive safety measures reduce the risk of starting the power tool accidentally.
- **Store idle power tools out of the reach of children and do not allow persons unfamiliar with the power tool or these instructions to operate the power tool.** Power tools are dangerous in the hands of untrained users.
- **Maintain power tools and accessories. Check for misalignment or binding of moving parts, breakage of parts and any other condition that may affect the power tool's operation. If damaged, have the power tool repaired before use.** Many accidents are caused by poorly maintained power tools.
- **Keep cutting tools sharp and clean.** Properly maintained cutting tools with sharp cutting edges are less likely to bind and are easier to control.
- **Use the power tool, accessories and tool bits etc. in accordance with these instructions, taking into account the working conditions and the work to be performed.** Use of the power tool for operations different from those intended could result in a hazardous situation.
- **Keep handles and grasping surfaces dry, clean and free from oil and grease.** Slippery handles and grasping surfaces do not allow for safe handling and control of the tool in unexpected situations.

BATTERY TOOL USE AND CARE

- **Recharge only with the charger specified by the manufacturer.** A charger that is suitable for one type of battery pack may create a risk of fire when used with another battery pack.
- **Use power tools only with specifically designated battery packs.** Use of any other battery packs may create a risk of injury and fire.
- **When battery pack is not in use, keep it away from other metal objects, like paper clips, coins, keys, nails, screws or other small metal objects, that can make a connection from one terminal to another.** Shorting the battery terminals together may cause burns or a fire.

- **Under abusive conditions, liquid may be ejected from the battery; avoid contact. If contact accidentally occurs, flush with water. If liquid contacts eyes, additionally seek medical help.** Liquid ejected from the battery may cause irritation or burns.
- **Do not use a battery pack or tool that is damaged or modified.** Damaged or modified batteries may exhibit unpredictable behavior resulting in fire, explosion or risk of injury.
- **Do not expose a battery pack or tool to fire or excessive temperature.** Exposure to fire or temperature above 265°F (130°C) may cause explosion.
- **Follow all charging instructions and do not charge the battery pack or tool outside the temperature range specified in the instructions.** Charging improperly or at temperatures outside the specified range may damage the battery and increase the risk of fire.

SERVICE

- **Have your power tool serviced by a qualified repair person using only identical replacement parts.** This will ensure that the safety of the power tool is maintained.
- **Never service damaged battery packs.** Service of battery packs should only be performed by the manufacturer or authorized service providers.

SPECIFIC SAFETY RULES FOR CRIMPER

- **Use tool only as directed. Only trained personnel should operate tool.**
- **AWARNING** To reduce the risk of arc flash, electric shock and property damage, work on deenergized lines when possible. Tool is not insulated. Should work on energized lines be required, ensure all proper precautions, including those contained in NFPA 70E, have been taken first.
- **Use tool only with MILWAUKEE crimping jaw 49-16-U000 or 49-16-U111, "U" dies, and connectors for which they are rated. Jaws, dies, and connectors must be used in an APPROVED COMBINATION to achieve a successful operation.** Improper combinations can result in a faulty crimp. Electric shock, fire, explosion, and property damage could occur.
- **Do not use tool without jaws installed.** Fingers could be injured.
- **Keep hands away from jaws while tool is in use.** Fingers could be injured.
- **To reduce the risk of injury, wear safety goggles or glasses with side shields when operating or servicing the tool.**
- **Inspect and discard workpieces with cracks or wear before use. Materials may crack or shatter.**
- **Follow installation specifications as specified in Table A using an Approved Combination of jaws, dies, connectors and cables as indicated.** Other uses may cause damage to the tool, accessories, and workpiece.
- **Always use common sense and be cautious when using tools.** It is not possible to anticipate every situation that could result in a dangerous outcome. Do not use this tool if you do not understand these operating instructions or you feel the work is beyond your capability; contact Milwaukee Tool or a trained professional for additional information or training.

- **Maintain labels and nameplates.** These carry important information. If unreadable or missing, contact a MILWAUKEE service facility for a free replacement.
- **AWARNING** Some dust created by power sanding, sawing, grinding, drilling, and other construction activities contains chemicals known to cause cancer, birth defects or other reproductive harm. Some examples of these chemicals are:
 - lead from lead-based paint
 - crystalline silica from bricks and cement and other masonry products, and
 - arsenic and chromium from chemically-treated lumber.
 Your risk from these exposures varies, depending on how often you do this type of work. To reduce your exposure to these chemicals: work in a well ventilated area, and work with approved safety equipment, such as those dust masks that are specially designed to filter out microscopic particles.

SPECIFICATIONS

Cat. No.	2679-20
Volts	18 DC
Battery Type	M18™
Charger Type	M18™
Operating Temp	0° - 122° F
Force	6 Tons

Crimping Jaws

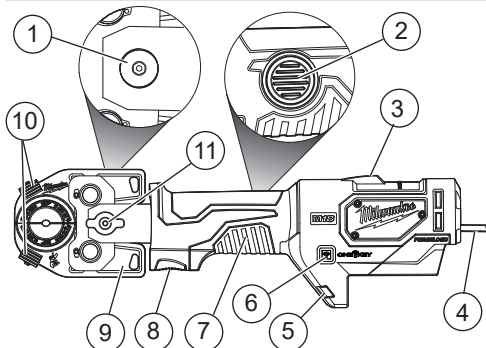
Cat. No.	49-16-U000
Jaw Type	M18™ 600 MCM U Style Crimping Jaw
Max. Crimping Capacity	600 MCM Cu/350 MCM Al

Cat. No.	49-16-U111
Jaw Type	M18™ 750 MCM U Style Crimping Jaw
Max. Crimping Capacity	750 MCM Cu/750 MCM Al

Cable Cutting Jaws

Cat. No.	49-16-2780
Jaw Type	M18™ 750 MCM Cu/1000 MCM Al Cable Cutting Jaws
Max. Cutting Capacity	750 MCM Cu/1000 MCM Al
Replacement Blades	Cat. No. 48-44-0411

FUNCTIONAL DESCRIPTION



- | | |
|-------------------------|----------------------|
| 1. Locking thumb screw | 7. Handle |
| 2. Backup release valve | 8. Trigger |
| 3. Crimping indicator | 9. Crimping jaws |
| 4. Hanger | 10. Die release tabs |
| 5. LEDs | 11. Retaining pin |
| 6. ONE-KEY™ indicator | |



Table A
Connections made with tool 2779-20 or 2679-20 with jaw 49-16-U000 or 49-16-U111 and combination of die and connector part numbers in the charts below produce cULus Classified crimps according to the UL 486A-B classification standards.

Copper Short & Long Barrel Lugs & Splices

	Anderson	Blackburn®	Burndy	ILSCO	Panduit	Penn-Union	T&B
Splice Model #'s	VHSS VHS	CSP CU	YS YS-L YS-T	CT CTL	SCSS, SCS, SCL SCH	BCU BBCU	54504-54523-TB 54804-54823
Lug Model #'s	VHCS VHCL	CTL-2 CTL CTL-L LCN	YA, YAZ, YA-L, YA-2L, YA-2LN, YA-L-NT, YA-L-2NT, YA-L-TC, YA-L-2TC, YA-2N, YA-TC, YA-2TC	CLN, CLND, CLNS, CLW, CLWD, CRA, CRB, CRA-L, CRB-L, CRA-2L, CRB-2L, CSW, CSWS	LCAS LCA LCD LCB LCC	BLU BBLU	54104-54123-TB 54204-54223 54850BE-54880BE 54930BE-54923BE

Wire Size (Code only)	Die Color	Cat. No.	Die Indentation Mark	Lugs: Total # of Crimps Splices: # of Crimps per Side						
				Anderson	Blackburn®	Burndy	ILSCO	Panduit	Penn-Union	T&B
#8 AWG	RED	49-16-U008C	8	1	1	1	1	1	1	1
#6 AWG	BLUE	49-16-U006C	6							
#4 AWG	GRAY	49-16-U004C	4							
#2 AWG	BROWN	49-16-U002C	2							
#1 AWG	GREEN	49-16-U001C	1							
1/0 AWG	PINK	49-16-U01AC	1/0							
2/0 AWG	BLACK	49-16-U02AC	2/0							
3/0 AWG	ORANGE	49-16-U03AC	3/0							
4/0 AWG	PURPLE	49-16-U04AC	4/0							
250 MCM	YELLOW	49-16-U250C	250							
300 MCM	WHITE	49-16-U300C	300	2	2	2	2	2	2	
350 MCM	RED	49-16-U350C	350							
400 MCM	BLUE	49-16-U400C	400							
500 MCM	BROWN	49-16-U500C	500							
600 MCM	GREEN	49-16-U600C	600							
750 MCM	BLACK	49-16-U750C*	750							

Dual Rated Lugs & Splices

	Anderson	Blackburn®	Burndy	ILSCO	Panduit	Penn-Union	T&B
Splice Model #'s	VACS	ASP	YS-A	AS ASN	SA	BCUA	60501-60578
Lug Model #'s	VACL	ATL	YA-A YA-ATN	ACL, ACN, ALND, ALNS, 2ACL, 2ACN, ALNN	LAA LAB	BLUA	60101-60178 60230-60278

Wire Size (Code only)	Die Color	Cat. No.	Die Indentation Mark	Lugs: Total # of Crimps Splices: # of Crimps per Side						
				Anderson	Blackburn®	Burndy	ILSCO	Panduit	Penn-Union	T&B
#8 AWG	BLUE	49-16-U008	8	Lugs: N/A Splices: 2	Lugs: 2 Splices: N/A	2	2	3	3	3
#6 AWG	GRAY	49-16-U006	6							
#4 AWG	GREEN	49-16-U004	4							
#2 AWG	PINK	49-16-U002	2							
#1 AWG	GOLD	49-16-U001	1							
1/0 AWG	TAN	49-16-U01A	1/0							
2/0 AWG	OLIVE	49-16-U02A	2/0							
3/0 AWG	RUBY	49-16-U03A	3/0							
4/0 AWG	WHITE	49-16-U04A	4/0							
250 MCM	RED	49-16-U250	250							
300 MCM	BLUE	49-16-U300	300							
350 MCM	BROWN	49-16-U350	350							
400 MCM	GREEN	49-16-U400*	400							
500 MCM	PINK	49-16-U500*	500							
600 MCM	BLACK	49-16-U600*	600							
750 MCM	YELLOW	49-16-U750*	750							

*Connections must use jaw 49-16-U111. Number of crimps is a minimum. Additional crimps would not negatively affect the integrity of the connection so long as they are uniformly placed between the intended crimp area of the connector, typically outlined with color bands or knurls. For the latest listing of approvals, visit milwaukeetool.com. For technical or service assistance, contact Milwaukee Customer Service at 1-800-729-3878.

SYMBOLLOGY



Volts



Direct Current



Underwriters Laboratories, Inc.
United States and Canada



WARNING To reduce the risk of arc flash, electric shock and property damage, work on deenergized lines when possible. Tool is not insulated. Should work on energized lines be required, ensure all proper precautions, including those contained in NFPA 70E, have been taken first.



WARNING Keep hands away from jaws while tool is in use. Fingers could be injured.



To reduce the risk of injury, wear safety goggles or glasses with side shields when operating or servicing the tool.



Read operator's manual.

ASSEMBLY

WARNING Recharge only with the charger specified for the battery. For specific charging instructions, read the operator's manual supplied with your charger and battery.

Inserting/Removing the Battery

To **remove** the battery, push in the release buttons and pull the battery pack away from the tool.

To **insert** the battery, slide the pack into the body of the tool. Make sure it latches securely into place.

WARNING Always remove battery pack before changing or removing accessories. Only use accessories specifically recommended for this tool. Others may be hazardous.

Inserting/Removing the Crimping Jaws

1. Remove the battery pack.
2. Remove the locking thumb screw (when used) from the back of the retaining pin.
3. Push in, then rotate the retaining pin counterclockwise 90°. The pin will pop out.
4. Insert the crimping jaws. Line up the center hole with the retaining pin.
5. Push in the retaining pin, then rotate clockwise 90°.
6. Insert and hand tighten the locking thumb screw.
NOTE: Use the locking thumb screw to prevent the retaining pin from being unintentionally loosened. A loose retaining pin may damage the tool.
7. Rotate the jaws to the desired angle.

CAUTION To avoid damage to the tool, do not operate the tool without the retaining pin fully inserted and locked into position. Damage to the cylinder may occur.

WARNING An incomplete or faulty crimp could cause a fire. Use tool only with MILWAUKEE crimping jaw 49-16-U000 or 49-16-U111, "U" dies, and connectors for which they are rated. Jaws, dies, and connectors must be used in an approved combination to achieve a successful operation. Improper combinations can result in a faulty crimp. Electric shock, fire, explosion, and property damage could occur.

Changing the Dies

Inspect dies and connectors before use. Only use properly matched dies and connectors for the crimping jaws. Refer to Table A for die/connector compatibility.

1. Remove the battery pack.
2. Open jaws by squeezing back of crimping head together.
3. Snap the appropriate dies into each side of the crimping jaws. Release the jaws.
4. To remove, open jaws by squeezing back of crimping head together. Pull out the die release tabs. Pull dies out from crimping jaws.

ONE-KEY™

To learn more about the ONE-KEY™ functionality for this tool, go to milwaukeeetool.com/One-Key. To download the ONE-KEY™ app, visit the App Store or Google Play from your smart device.

Cutting Jaws (not included)

The Crimper is compatible with the following MILWAUKEE cutting jaws. Refer to the cutting jaws' instructions for use.

Jaw Type	Maximum Capacity
750 MCM Cu/AL Jaws (Cat. No. 49-16-2780)	750 MCM Cu/1000 MCM Al

OPERATION

WARNING To reduce the risk of arc flash, electric shock and property damage, work on deenergized lines when possible. Tool is not insulated. Should work on energized lines be required, ensure all proper precautions, including those contained in NFPA 70E, have been taken first.

Keep hands away from crimping jaws while tool is in use. Fingers could be crushed.

Always remove battery pack before changing or removing accessories. Only use accessories specifically recommended for this tool. Others may be hazardous.

To reduce the risk of injury, always wear proper eye protection marked to comply with ANSI Z87.1.

Crimping

Before crimping:

- Inspect the jaws and dies for cracks or other damage. Do not use damaged jaws or dies. Contact a MILWAUKEE service facility.
- Ensure retaining pin is properly seated and dies are properly installed.
- Jaws, dies, connectors, and cables must be used in an APPROVED COMBINATION. Improper combinations can result in a faulty crimp.
- Inspect and discard workpieces with cracks or wear before use. Materials may crack or shatter.

MAINTENANCE

⚠WARNING To reduce the risk of injury, always unplug the charger and remove the battery pack from the charger or tool before performing any maintenance. Never disassemble the tool, battery pack or charger. Contact a MILWAUKEE service facility for ALL repairs.

Maintaining Tool

Keep your tool, battery pack and charger in good repair by adopting a regular maintenance program. Inspect your tool for issues such as undue noise, misalignment or binding of moving parts, breakage of parts, or any other condition that may affect the tool operation. Return the tool, battery pack, and charger to a MILWAUKEE service facility for repair. After six months to one year, depending on use, return the tool, battery pack and charger to a MILWAUKEE service facility for inspection.

If the tool does not start or operate at full power with a fully charged battery pack, clean the contacts on the battery pack. If the tool still does not work properly, return the tool, charger and battery pack, to a MILWAUKEE service facility for repairs.

ONE-KEY™

Refer to the ONE-KEY App for information regarding necessary servicing, such as internal battery life and crimp count.

⚠WARNING Chemical Burn Hazard. This device contains a lithium button/coin cell battery. A new or used battery can cause severe internal burns and lead to death in as little as 2 hours if swallowed or enters the body. Always secure the battery cover. If it does not close securely, stop using the device, remove the batteries, and keep it away from children. If you think batteries may have been swallowed or entered the body, seek immediate medical attention.



Internal Battery

An internal battery is used to facilitate full ONE-KEY™ functionality.

To replace the battery:

1. Remove the battery pack.
2. Remove the screw(s) and open the battery door.
3. Remove the old battery, keep it away from children, and dispose of it properly.
4. Insert the new battery (3V CR2032), with the positive side facing up.
5. Close the battery door and tighten the screw(s) securely.

⚠WARNING To reduce the risk of personal injury and damage, never immerse your tool, battery pack or charger in liquid or allow a liquid to flow inside them.

Cleaning

Clean dust and debris from vents. Keep handles clean, dry and free of oil or grease. Use only mild soap and a damp cloth to clean, since certain cleaning agents and solvents are harmful to plastics and other insulated parts. Some of these include gasoline, turpentine, lacquer thinner, paint thinner, chlorinated cleaning solvents, ammonia and household detergents containing ammonia. Never use flammable or combustible solvents around tools.

• Follow installation specifications as specified in Table A using an Approved Combination of jaws, dies, connectors and cables as indicated. Other uses may cause damage to the tool, accessories, and workpiece.

1. Insert battery pack.
2. Place jaws with installed dies around the connector.
3. Hold tool securely. Press and hold the trigger.
4. When the cycle is complete the tool will switch off and the indicator will light. Release the trigger.

LED Indicator	Definition
Solid Green	Tool completed the operation and reached full crimping pressure.
Solid Red	Tool completed the operation but did NOT reach full crimping pressure.
Flashing Red	Tool did NOT complete the operation.
Flashing Red/Green (after Solid Green or Solid Red)	Tool has reached its service interval (40,000 crimps). Red/Green flashing will begin after the solid Red or Green indicator for the operation is displayed. MILWAUKEE recommends that the tool be inspected and preventative maintenance completed. Return tool to a MILWAUKEE service facility.

5. Continue crimping according to the instructions in Table A or the connector manufacturer's installation instructions.
 - Crimps should be uniformly placed on the barrel of the connector.
 - Crimps should be reasonably placed within the color bands or knurled area of the connector.
 - For splices, begin crimping in the center, working outward while alternating sides.
 - For lugs, begin crimping near the pad, working towards the barrel.
 - The orientation of the crimp is not critical on seamless barrel connectors, but for best results rotate the tool 180° between crimps.
6. Two LEDs will light the workpiece when the trigger is pulled.
7. The die identifier is pressed into the connector during the crimp.

Backup Release Valve

If the jaws need to be opened without completing the cycle, press and hold the backup release valve. Hold tool securely until the cylinder retracts fully.

Repairs

For repairs, return the tool, battery pack and charger to the nearest authorized service center.

ACCESSORIES

WARNING Always remove battery pack before changing or removing accessories. Only use accessories specifically recommended for this tool. Others may be hazardous. For a complete listing of accessories, go online to www.milwaukeetool.com or contact a local distributor.

SERVICE - UNITED STATES

1-800-SAWDUST (1.800.729.3878)

Monday-Friday, 7:00 AM - 6:30 PM CST

or visit www.milwaukeetool.com

Contact Corporate After Sales Service Technical Support with technical, service/repair, or warranty questions.

Email: metproductsupport@milwaukeetool.com

Become a Heavy Duty Club Member at www.milwaukeetool.com to receive important notifications regarding your tool purchases.

SERVICE - CANADA

Milwaukee Tool (Canada) Ltd

1.800.268.4015

Monday-Friday, 7:00 AM - 4:30 PM CST

or visit www.milwaukeetool.ca

LIMITED WARRANTY USA & CANADA

Every MILWAUKEE power tool* (see exceptions below) is warranted to the original purchaser only to be free from defects in material and workmanship. Subject to certain exceptions, MILWAUKEE will repair or replace any part on an electric power tool which, after examination, is determined by MILWAUKEE to be defective in material or workmanship for a period of five (5) years** after the date of purchase unless otherwise noted. Return of the power tool to a MILWAUKEE factory Service Center location or MILWAUKEE Authorized Service Station, freight prepaid and insured, is required. A copy of the proof of purchase should be included with the return product. This warranty does not apply to damage that MILWAUKEE determines to be from repairs made or attempted by anyone other than MILWAUKEE authorized personnel, misuse, alterations, abuse, normal wear and tear, lack of maintenance, or accidents.

Normal Wear: Many power tools need periodic parts replacement and service to achieve best performance. This warranty does not cover repair when normal use has exhausted the life of a part including, but not limited to, chucks, brushes, cords, saw shoes, blade clamps, o-rings, seals, bumpers, driver blades, pistons, strikers, lifters, and bumper cover washers.

*This warranty does not cover Air Nailers & Staplers; Airless Paint Sprayer; Cordless Battery Packs; Gasoline Driven Portable Power Generators; Hand Tools; Hoist - Electric, Lever & Hand Chain; M12™ Heated Gear; Reconditioned Product; and Test & Measurement Products. There are separate and distinct warranties available for these products.

**The warranty period for Job Site Radios, M12™ Power Port, M18™ Power Source, Jobsite Fan and Trade Titan™ Industrial Work Carts is one (1) year from the date of purchase. The warranty period for the Drain Cleaning Cables and AIRSNAKE™ Drain Cleaning Air Gun Accessories is two (2) years from the date of purchase. The warranty period for the M18™ Compact Heat Gun, 8 Gallon Dust Extractor, M18™ Framing Nailers, M18 FUEL™ 1/2" Ext. Anvil Controlled Torque Impact Wrench w/ ONE-KEY™, and the M18 FUEL™ 1" High Torque Impact Wrench w/ ONE-KEY™ is three (3) years from the date of purchase. The warranty period for the LED in the LED Work Light and the LED Upgrade Bulb for the Work Light is the lifetime of the product subject to the limitations above. If during normal use the LED or LED Bulb fails, the part will be replaced free of charge.

Warranty Registration is not necessary to obtain the applicable warranty on a MILWAUKEE power tool product. The manufacturing date of the product will be used to determine the warranty period if no proof of purchase is provided at the time warranty service is requested. ACCEPTANCE OF THE EXCLUSIVE REPAIR AND REPLACEMENT REMEDIES DESCRIBED HEREIN IS A CONDITION OF THE CONTRACT FOR THE PURCHASE OF EVERY MILWAUKEE PRODUCT. IF YOU DO NOT AGREE TO THIS CONDITION, YOU SHOULD NOT PURCHASE THE PRODUCT. IN NO EVENT SHALL MILWAUKEE BE LIABLE FOR ANY INCIDENTAL, SPECIAL, CONSEQUENTIAL OR PUNITIVE DAMAGES, OR FOR ANY COSTS, ATTORNEY FEES, EXPENSES, LOSSES OR DELAYS ALLEGED TO BE AS A CONSEQUENCE OF ANY DAMAGE TO, FAILURE OF OR DEFECT IN ANY PRODUCT INCLUDING, BUT NOT LIMITED TO, ANY CLAIMS FOR LOSS OF PROFITS. SOME STATES DO NOT ALLOW THE EXCLUSION OR LIMITATION OF INCIDENTAL OR CONSEQUENTIAL DAMAGES. SO THE ABOVE LIMITATION OR EXCLUSION MAY NOT APPLY TO YOU. THIS WARRANTY IS EXCLUSIVE AND IN LIEU OF ALL OTHER EXPRESS WARRANTIES, WRITTEN OR ORAL. TO THE EXTENT PERMITTED BY LAW, MILWAUKEE DISCLAIMS ANY IMPLIED WARRANTIES, INCLUDING WITHOUT LIMITATION ANY IMPLIED WARRANTY OF MERCHANTABILITY OR FITNESS FOR A PARTICULAR USE OR PURPOSE. TO THE EXTENT SUCH DISCLAIMER IS NOT PERMITTED BY LAW, SUCH IMPLIED WARRANTIES ARE LIMITED TO THE DURATION OF THE APPLICABLE EXPRESS WARRANTY AS DESCRIBED ABOVE. SOME STATES DO NOT ALLOW LIMITATIONS ON HOW LONG AN IMPLIED WARRANTY LASTS. SO THE ABOVE LIMITATION MAY NOT APPLY TO YOU. THIS WARRANTY GIVES YOU SPECIFIC LEGAL RIGHTS, AND YOU MAY ALSO HAVE OTHER RIGHTS WHICH VARY FROM STATE TO STATE.

This warranty applies to product sold in the U.S.A. and Canada only. Please consult the 'Service Center Search' in the Parts & Service section of MILWAUKEE's website www.milwaukeetool.com or call 1.800.SAWDUST (1.800.729.3878) to locate your nearest service facility for warranty and non-warranty service on a Milwaukee electric power tool.

LIMITED WARRANTY - MEXICO, CENTRAL AMERICA & CARIBBEAN

TECHTRONIC INDUSTRIES' warranty is for 5 years since the original purchase date.

This warranty card covers any defect in material and workmanship on this Product.

To make this warranty valid, present this warranty card, sealed/stamped by the distributor or store where you purchased the product, to the Authorized Service Center (ASC). Or, if this card has not been sealed/stamped, present the original proof of purchase to the ASC. Call 55 4160-3547 to find the nearest ASC, for service, parts, accessories or components.

Procedure to make this warranty valid

Take the product to the ASC, along with the warranty card sealed/stamped by the distributor or store where you purchased the product, and any faulty piece or component will be replaced without cost for you. We will cover all freight costs relative with this warranty process.

Exceptions

This warranty is not valid in the following situations

- When the product is used in a different manner from the end-user guide or instruction manual.
- When the conditions of use are not normal.
- When the product was modified or repaired by people not authorized by TECHTRONIC INDUSTRIES.

Note: If cord set is damaged, it should be replaced by an Authorized Service Center to avoid electric risks.

SERVICE AND ATTENTION CENTER
Call to 55 4160-3547

IMPORTED AND COMMERCIALIZED BY
TECHTRONIC INDUSTRIES MEXICO, S.A. DE C.V.
Miguel de Cervantes Saavedra No.301 Piso 5, Torre Norte
11520 Colonia Ampliación Granada
Miguel Hidalgo, Ciudad de Mexico, Mexico

Model: _____

Date of Purchase: _____

Distributor or Store Stamp: _____

RÈGLES DE SÉCURITÉ GÉNÉRALES RELATIVES AUX OUTILS ÉLECTRIQUES

⚠ AVERTISSEMENT Lire toutes les consignes de sécurité, consignes, illustrations et spécifications fournies avec cet outil électrique. Ne pas suivre l'ensemble des règles et instructions peut entraîner une électrocution, un incendie ou des blessures graves. Conserver les règles et les instructions à des fins de référence ultérieure. Le terme «outil électrique» figurant dans les avertissements ci-dessous renvoie à l'outil électrique à alimentation par le réseau (à cordon) ou par batterie (sans fil).

SÉCURITÉ DU LIEU DE TRAVAIL

- Veillez à ce que l'aire de travail soit propre et bien éclairée. Le désordre et le manque de lumière favorisent les accidents.
- Ne pas utiliser d'outils électriques dans des atmosphères explosives, par exemple en présence de liquides, gaz ou poussières inflammables. Les outils électriques produisent des étincelles risquant d'enflammer les poussières ou vapeurs.
- S'assurer que les enfants et les curieux se trouvent à une bonne distance au moment d'utiliser un outil électrique. Les distractions peuvent causer une perte de contrôle.

SÉCURITÉ ÉLECTRIQUE

- Les fiches des outils électriques doivent correspondre à la prise secteur utilisée. Ne jamais modifier la fiche, de quelque façon que ce soit. Ne jamais utiliser d'adaptateurs de fiche avec des outils mis à la terre. Les fiches et prises non modifiées réduisent le risque de choc électrique.
- Éviter tout contact avec des surfaces mises à la terre comme des tuyaux, des radiateurs, des cuisinières et des réfrigérateurs. Le risque de choc électrique est accru lorsque le corps est mis à la terre.
- Ne pas exposer les outils électriques à l'eau ou l'humidité. La pénétration d'eau dans ces outils accroît le risque de choc électrique.
- Ne pas maltraiter le cordon d'alimentation. Ne jamais utiliser le cordon d'alimentation pour transporter l'outil électrique et ne jamais débrancher ce dernier en tirant sur le cordon. Garder le cordon à l'écart de la chaleur, de l'huile, des objets tranchants et des pièces en mouvement. Un cordon endommagé ou emmêlé accroît le risque de choc électrique.
- Pour les travaux à l'extérieur, utiliser un cordon spécialement conçu à cet effet. Utiliser un cordon conçu pour l'usage extérieur réduit les risques de choc électrique.
- Si l'utilisation d'un outil électrique est inévitable dans un endroit humide, utiliser une source d'alimentation munie d'un disjoncteur de fuite de terre. L'utilisation d'un disjoncteur de fuite de terre réduit le risque de choc électrique. sécurité individuelle

SÉCURITÉ INDIVIDUELLE

- Rester attentif, prêter attention au travail et faire preuve de bon sens lors de l'utilisation de tout outil électrique. Ne pas utiliser cet appareil en cas de fatigue ou sous l'influence de l'alcool, de drogues ou de médicaments. Un moment d'inattention pendant l'utilisation d'un outil électrique peut entraîner des blessures graves.

- Porter l'équipement de protection individuel requis. Toujours porter une protection oculaire. Selon les conditions, porter aussi un masque antipoussières, des bottes de sécurité antidérapantes, un casque protecteur ou une protection auditive afin de réduire les blessures.
- Empêcher les démarrages accidentels. S'assurer que la gâchette est en position d'arrêt avant de brancher l'outil à une source de courant, d'insérer la batterie, de le ramasser ou de le transporter. Le fait de transporter un outil électrique en gardant le doigt sur la gâchette ou de mettre sous tension un outil électrique lorsque la gâchette est en position de marche favorise les accidents.
- Retirer les clés de réglage avant de mettre l'outil en marche. Une clé laissée sur une pièce rotative de l'outil peut causer des blessures.
- Ne pas travailler hors de portée. Toujours se tenir bien campé et en équilibre. Une bonne stabilité procure un meilleur contrôle de l'outil électrique en cas d'imprévus.
- Porter une tenue appropriée. Ne porter ni vêtements amples, ni bijoux. Garder les cheveux et les vêtements à l'écart des pièces en mouvement. Les vêtements flottants, les bijoux ou les cheveux longs risquent d'être happés par les pièces en mouvement.
- Si les outils sont équipés de dispositifs de dépoussiérage, s'assurer qu'ils sont connectés et correctement utilisés. L'utilisation d'un collecteur de poussière permet de réduire les dangers liés à la poussière.
- Ne pas laisser la familiarité avec l'outil acquise par une utilisation fréquente vous rendre suffisant et vous amener à ignorer les règles de sécurité. Une utilisation négligée peut causer une blessure grave en une fraction de seconde.

UTILISATION ET ENTRETIEN DE L'OUTIL ÉLECTRIQUE

- Ne pas forcer l'outil électrique. Utiliser l'outil électrique approprié pour l'application. Un outil électrique approprié exécutera le travail mieux et de façon moins dangereuse s'il est utilisé dans les limites prévues.
- Ne pas utiliser l'outil électrique si le commutateur ne permet pas de le mettre en marche ou de l'arrêter. Tout outil électrique qui ne peut pas être contrôlé par son commutateur est dangereux et doit être réparé.
- Débrancher l'outil et/ou retirer le bloc-piles, si possible, avant d'effectuer des réglages, de changer d'accessoire ou de remettre l'outil. Ces mesures de sécurité préventives réduisent les risques de démarrage accidentel de l'outil.
- Entreposer l'outil électrique hors de la portée des enfants et interdire à quiconque de l'utiliser si la personne ne connaît pas bien le produit ou les instructions. Les outils électriques sont dangereux dans les mains d'utilisateurs novices.
- Entretenir les outils électriques et les accessoires. Vérifier qu'aucune pièce mobile n'est mal alignée ou bloquée, qu'aucune pièce n'est brisée et s'assurer qu'aucun autre problème risque d'affecter le bon fonctionnement de l'outil. En cas de dommages, faire réparer l'outil avant de l'utiliser. Plusieurs accidents sont causés par des produits mal entretenus.
- Garder les outils bien affûtés et propres. Des outils correctement entretenus et dont les tranchants sont bien affûtés risquent moins de se bloquer et sont plus faciles à contrôler.

RÈGLES DE SÉCURITÉ SPÉCIFIQUES SERTISSEUR UTILITAIRE

• Utiliser l'outil électrique, les accessoires, les embouts etc. conformément à ces instructions en tenant compte des conditions de travail et de la tâche à effectuer. L'usage d'un outil électrique pour des applications pour lesquelles il n'est pas conçu peut être dangereux.

• Garder les poignées et les surfaces de préhension sèches, propres et exemptes d'huile ou de graisse. Des poignées et des surfaces de préhension glissantes ne permettent pas de manipuler et de contrôler l'outil en toute sécurité en cas de situation imprévue.

UTILISATION ET ENTRETIEN DE LA BATTERIE

• Pour recharger le bloc-piles, utiliser seulement le chargeur spécifié par le fabricant. Un chargeur pouvant convenir à un type de bloc-piles peut entraîner un risque d'incendie lorsqu'il est utilisé avec un autre type de bloc-piles.

• N'utiliser l'outil électrique qu'avec une batterie recommandée. L'utilisation de tout autre bloc-piles peut créer un risque de blessures et d'incendie.

• Lorsque le bloc-piles n'est pas utilisé, le tenir éloigné des objets en métal tels que les trombones, les pièces de monnaie, les clés, les clous, les vis ou d'autres petits objets métalliques qui pourraient connecter les bornes. Le court-circuitage des bornes d'une pile peut entraîner des brûlures ou un incendie.

• Éviter tout contact avec le liquide pouvant être éjecté de la pile en cas de manutention abusive. En cas de contact accidentel, rincer immédiatement les parties atteintes avec de l'eau. Si le liquide entre en contact avec les yeux, consulter un médecin. Le liquide éjecté des piles peut causer des irritations ou des brûlures.

• N'utiliser aucun bloc-piles ni aucun outil ayant été endommagé ou modifié. Des piles endommagées ou modifiées peuvent adopter un comportement imprévisible pouvant causer un incendie, une explosion ou le risque de blessures.

• Ne pas exposer le bloc-piles ou l'outil aux flammes ou à une température excessive. Une exposition aux flammes ou à une température supérieure à 130°C (265°F) peut causer une explosion.

• Suivre toutes les instructions de charge et ne pas charger le bloc-piles ou l'outil en dehors de la plage de température spécifiée. Une charge incorrecte ou à des températures en dehors de la plage spécifiée peut endommager la pile et augmenter le risque d'incendie.

ENTRETIEN

• Les réparations de l'outil électrique doivent être confiées à un technicien qualifié, utilisant exclusivement des pièces identiques à celles d'origine. Le maintien de la sûreté de l'outil électrique sera ainsi assuré.

• Ne jamais effectuer la réparation d'un bloc-piles endommagé. La réparation du bloc-piles doit être réalisée par le fabricant ou les fournisseurs de service agréés uniquement.

• Utiliser l'outil seulement comme indiqué. Seul le personnel qualifié devrait utiliser l'outil.

⚠ AVERTISSEMENT Pour minimiser le risque d'arc électrique, de choc électrique et d'accidents matériels, travailler sur de lignes sans tension si possible. L'outil n'est pas isolé. S'il faut faire de travaux sur de lignes sous tension, veuillez s'assurer que toutes les précautions correspondantes, y compris celles dans NFPA 70E, ont été prises à l'avance.

• Utiliser l'outil uniquement avec les mâchoires de sertissage MILWAUKEE 49-16-U000 ou 49-16-U111, les matrices en « U » et les connecteurs pour lesquels ils sont homologués. Les mâchoires, les matrices et les connecteurs doivent être CORRECTEMENT APPARIÉS pour réaliser une opération réussie. Des combinaisons incorrectes peuvent entraîner un sertissage défectueux. Une décharge électrique, un incendie, une explosion et des dommages matériels pourraient se produire.

• N'utilisez pas l'outil sans les mâchoires de installées. Vos doigts risquent d'être blessés.

• Gardez vos mains loin des mâchoires lorsque vous utilisez l'outil. Vos doigts risquent d'être blessés.

• Pour réduire le risque de blessure, porter des lunettes de sécurité ou des lunettes avec écrans latéraux pendant l'utilisation ou l'entretien de l'outil.

• Inspectez et jetez les pièces présentant des fissures ou usées avant l'utilisation. Les matériaux peuvent se fissurer ou se briser.

• Suivez les spécifications d'installation spécifiées dans le tableau A en utilisant une combinaison approuvée de mâchoires, matrices, connecteurs et câbles, comme indiqué. D'autres utilisations peuvent endommager l'outil, les accessoires et les pièces.

• Toujours faire preuve de bons sens et procéder avec prudence lors de l'utilisation d'outils. C'est impossible de prévoir toutes les situations dont le résultat est dangereux. Ne pas utiliser cet outil si vous ne comprenez pas ces instructions d'opération ou si vous pensez que le travail dépasse votre capacité ; veuillez contacter Milwaukee Tool ou un professionnel formé pour recevoir plus d'information ou formation.

• Maintenir en l'état les étiquettes et les plaques d'identification. Des informations importantes y figurent. Si elles sont illisibles ou manquantes, contacter un centre de services et d'entretien MILWAUKEE pour un remplacement gratuit.

⚠ AVERTISSEMENT Certaines poussières générées par les activités de ponçage, de coupe, de rectification, de perçage et d'autres activités de construction contiennent des substances considérées être la cause de malformations congénitales et de troubles de l'appareil reproducteur. Parmi ces substances figurent :

• le plomb contenu dans les peintures à base de plomb ;

• la silice cristalline des briques, du ciment et d'autres matériaux de maçonnerie, ainsi que

• l'arsenic et le chrome des sciages traités chimiquement. Les risques encourus par l'opérateur envers ces expositions varient en fonction de la fréquence de ce type de travail. Pour réduire l'exposition à ces substances chimiques, l'opérateur doit travailler dans une zone bien ventilée et porter l'équipement de sécurité approprié, tel qu'un masque anti-poussière spécialement conçu pour filtrer les particules microscopiques.



Tableau A

Les connexions réalisées avec l'outil 2779-20 ou 2679-20 avec la mâchoire 49-16-U000 ou 49-16-U111 et la combinaison matrice-connecteur dont vous pouvez trouver les références dans les graphiques ci-dessous produisent des sertissages homologués cULus selon la norme de Classification UL 486A-B.

Cosses et épissures courtes et longues en cuivre

	Anderson	Blackburn®	Burndy	ILSCO	Panduit	Penn-Union	T&B
Modèles d'épissures numéros	VHSS VHS	CSP CU	YS YS-L YS-T	CT CTL	SCSS SCS SCL SCH	BCU BBCU	54504-54523-TB 54804-54823
Modèles de cosses numéros	VHCS VHCL	CTL-2 CTL CTL-L LCN	YA, YAZ, YA-L, YA-2L, YA-2LN, YA-L-NT, YA-L-2NT, YA-L-TC, YA-L-2TC, YA-2N, YA-TC, YA-2TC	CLN, CLND, CLNS, CLW, CLWD, CRA, CRB, CRA-L, CRB-L, CRA-2L, CRB-2L, CSW, CSWS	LCAS LCA LCD LCB LCC	BLU BBLU	54104-54123-TB 54204-54223 54850BE-54880BE 54930BE-54923BE

Taille de câble (code unification)	Couleur de matrice	No de cat.	Empreinte de matrice	Cosses : Nombre total de sertissages Épissures : Nombre de sertissages par côté								
				Anderson	Blackburn®	Burndy	ILSCO	Panduit	Penn-Union	T&B		
				#8 AWG	ROUGE	49-16-U008C	8					
#6 AWG	BLEU	49-16-U006C	6									
#4 AWG	GRIS	49-16-U004C	4									
#2 AWG	MARRON	49-16-U002C	2	1								
#1 AWG	VERT	49-16-U001C	1									
1/0 AWG	ROSE	49-16-U01AC	1/0									
2/0 AWG	NOIR	49-16-U02AC	2/0									
3/0 AWG	ORANGE	49-16-U03AC	3/0									
4/0 AWG	VIOLET	49-16-U04AC	4/0									
250 MCM	JAUNE	49-16-U250C	250									
300 MCM	BLANC	49-16-U300C	300									
350 MCM	ROUGE	49-16-U350C	350									
400 MCM	BLEU	49-16-U400C	400									
500 MCM	MARRON	49-16-U500C	500									
600 MCM	VERT	49-16-U600C	600	2								
750 MCM	NOIR	49-16-U750C*	750									
					3	3	3	3	3	3	3	3

Cosses et épissures à double homologation

	Anderson	Blackburn®	Burndy	ILSCO	Panduit	Penn-Union	T&B
Modèles d'épissures numéros	VACS	ASP	YS-A	AS ASN	SA	BCUA	60501-60578
Modèles de cosses numéros	VACL	ATL	YA-A YA-ATN	ACL, ACN, ALND, ALNS, 2ACL, 2ACN, ALNN	LAA LAB	BLUA	60101-60178 60230-60278

Taille de câble (code unification)	Couleur de matrice	No de cat.	Empreinte de matrice	Cosses : Nombre total de sertissages Épissures : Nombre de sertissages par côté								
				Anderson	Blackburn®	Burndy	ILSCO	Panduit	Penn-Union	T&B		
				#8 AWG	BLEU	49-16-U008	8					
#6 AWG	GRIS	49-16-U006	6	Cosses: N/A Épissures: 2	Cosses: 2 Épissures: N/A	2	2	2	2	2	2	2
#4 AWG	VERT	49-16-U004	4									
#2 AWG	ROSE	49-16-U002	2									
#1 AWG	DORÉ	49-16-U001	1									
1/0 AWG	BRUN CLAIR	49-16-U01A	1/0	3	3	3	3	3	3	3	3	3
2/0 AWG	OLIVE	49-16-U02A	2/0									
3/0 AWG	RUBIS	49-16-U03A	3/0									
4/0 AWG	BLANC	49-16-U04A	4/0									
250 MCM	ROUGE	49-16-U250	250	4	4	4	4	4	4	4	4	
300 MCM	BLEU	49-16-U300	300									
350 MCM	MARRON	49-16-U350	350									
400 MCM	VERT	49-16-U400*	400									
500 MCM	ROSE	49-16-U500*	500									
600 MCM	NOIR	49-16-U600*	600	4	4	4	4	4	4	4	4	
750 MCM	JAUNE	49-16-U750*	750									
					4	4	4	4	4	4	4	4

* La connexion doit utiliser la mâchoire 49-16-U111. Nombre de frisures est un minimum. Des sertissages supplémentaires n'affecteraient pas négativement l'intégrité de la connexion du moment qu'elles sont placées uniformément entre la zone de sertissage prévue du connecteur, généralement délimitée par des bandes de couleur ou des molettes. Pour la liste d'approbation la plus récente, veuillez visiter milwaukeeool.com. Pour une assistance technique, veuillez contacter le service à la clientèle de Milwaukee en composant le 1-800-729-3878.

PICTOGRAPHIE



Volts



Courant direct



Underwriters Laboratories, Inc.
États-Unis et Canada



⚠ AVERTISSEMENT Pour minimiser le risque d'arc électrique, de choc électrique et d'accidents matériels, travailler sur de lignes sans tension si possible. L'outil n'est pas isolé. S'il faut faire de travaux sur de lignes sous tension, veuillez s'assurer que toutes les précautions correspondantes, y compris celles dans NFPA 70E, ont été prises à l'avance.



⚠ AVERTISSEMENT Gardez vos mains loin des outils lorsque vous utilisez l'outil. Vos doigts risquent d'être blessés.

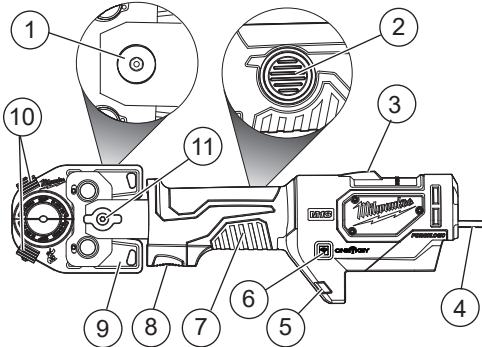


Pour réduire le risque de blessure, porter des lunettes de sécurité ou des lunettes avec écrans latéraux pendant l'utilisation ou l'entretien de l'outil.



Lire le manuel d'utilisation.

DESCRIPTION FONCTIONNELLE



1. Vis de verrouillage à oreilles
2. Soupape de vidange de secours
3. Indicateur de sertissage
4. Support
5. DEL
6. Indicateur ONE-KEY™
7. Poignée
8. Gâchette
9. Mâchoires de sertissage
10. Languettes de dégagement de matrice
11. Clavette d'arrêt

SPECIFICATIONS

No de Cat. 2679-20
Volts..... 18 CD
Type de batterie..... M18™
Type de chargeur..... M18™
Température de fonctionnement..... -18 - 50° C
(0° - 122° F)

Force53,4 kN (6T)

Mâchoires de sertissage

No de Cat. 49-16-U000
Type de mâchoire M18™ 600 MCM Style U
Mâchoire de sertissage

Capacité maximale
de sertissage..... Cuivre de 600 MCM/
aluminium de 350 MCM

No de Cat. 49-16-U111
Type de mâchoire M18™ 750 MCM Style U
Mâchoire de sertissage

Capacité maximale
de sertissage..... Cuivre de 750 MCM/
aluminium de 750 MCM

Mâchoires de coupe de câbles

No de Cat. 49-16-2780
Type de mâchoire..... M18™ Cuivre de 750 MCM/
aluminium de 1 000 MCM

Capacité de coupe maximale..... Cuivre de 750 MCM/
aluminium de 1 000 MCM

Lames de rechange..... No de Cat. 48-44-0411

MONTAGE DE L'OUTIL

⚠ AVERTISSEMENT Ne recharger la batterie qu'avec le chargeur spécifié. Pour les instructions de charge spécifiques, lire le manuel d'utilisation fourni avec le chargeur et les batteries.

Insertion/Retrait de la batterie

Pour **retirer** la batterie, enfoncer les boutons de déverrouillage et la tirer hors de l'outil.

Pour **insérer** la batterie, la glisser dans le corps de l'outil. S'assurer qu'elle est fixée solidement.

⚠ AVERTISSEMENT Il faut toujours retirer la batterie et verrouiller la détente de l'outil avant de changer ou d'enlever les accessoires. L'emploi d'accessoires autres que ceux qui sont expressément recommandés pour cet outil peut comporter des risques.

Insertion/retrait des mâchoires de sertissage

1. Retirez le bloc-piles.
2. Retirer la vis de verrouillage (lorsqu'il est utilisé) à oreilles de l'arrière de la goupille de retenue.
3. Appuyez, puis tournez la clavette d'arrêt dans le sens contraire des aiguilles d'une montre sur 90° . La clavette se dégagera.
4. Insérez les mâchoires de sertissage. Alignez le trou central sur la clavette d'arrêt.
5. Appuyez sur la clavette d'arrêt, puis tournez dans le sens des aiguilles d'une montre 90° .
6. Insérer et serrer manuellement la vis de verrouillage à oreilles.

REMARQUE : Utilisez la vis de verrouillage à oreilles pour empêcher la clavette d'arrêt de se détachant involontairement. Une clavette lâche d'arrêt peut-être endommager l'outil.

7. Faites tourner les mâchoires à l'angle désiré.

ATTENTION Pour éviter d'endommager l'outil, n'utilisez pas l'outil sans la clavette d'arrêt complètement insérée et verrouillée en place. Cela pourrait endommager le cylindre.

AVERTISSEMENT Un sertissage incomplet ou défectueux peut entraîner un incendie. Utiliser l'outil uniquement avec les mâchoires de sertissage MILWAUKEE 49-16-U000 ou 49-16-U111, les matrices en « U » et les connecteurs pour lesquels ils sont homologués. Les mâchoires, les matrices et les connecteurs doivent être correctement appariés pour réaliser une opération réussie. Des combinaisons incorrectes peuvent entraîner un sertissage défectueux. Une décharge électrique, un incendie, une explosion et des dommages matériels pourraient se produire.

Remplacement des matrices

Inspectez les matrices et les connecteurs avant utilisation. N'utilisez que des matrices et des connecteurs correctement appariés pour les mâchoires de sertissage. Reportez-vous au tableau A pour la compatibilité des matrices / connecteurs.

1. Retirez le bloc-piles.
2. Ouvrez les mâchoires en serrant le dos des têtes de sertissage ensemble.
3. Alignez les matrices appropriées sur chaque côté des mâchoires de sertissage. Relâchez les mâchoires.
4. Pour retirer, ouvrez les mâchoires en serrant le dos des têtes de sertissage ensemble. Tirez sur les languettes de dégagement de matrice. Sortez les filières des mâchoires de sertissage.

ONE-KEY™

Pour en apprendre plus long sur la fonctionnalité ONE-KEY™ de cet outil, visitez milwaukeeetool.com/One-Key. Pour télécharger l'application ONE-KEY™, visitez l'App Store d'Apple ou Google Play à l'aide de votre appareil intelligent.

Mâchoires coupantes (non inclus)

Le serre-câble est compatible avec les mâchoires coupantes MILWAUKEE suivantes. Consultez les instructions des mâchoires coupantes pour l'utilisation.

Type de mâchoire	Capacité maximale
Mâchoires pour fil de cuivre/aluminium de 750 MCM (No de cat. 49-16-2780)	Cuivre de 750 MCM/ Aluminium de 1 000 MCM

MANIEMENT

AVERTISSEMENT Pour minimiser le risque d'arc électrique, de choc électrique et d'accidents matériels, travailler sur de lignes sans tension si possible. L'outil n'est pas isolé. S'il faut faire de travaux sur de lignes sous tension, veuillez s'assurer que toutes les précautions correspondantes, y compris celles dans NFPA 70E, ont été prises à l'avance.

Gardez vos mains loin des mâchoires de sertissage lorsque vous utilisez l'outil. Vos doigts risquent d'être écrasés.

Il faut toujours retirer la batterie et verrouiller la détente de l'outil avant de changer ou d'enlever les accessoires. L'emploi d'accessoires autres que ceux qui sont expressément recommandés pour cet outil peut comporter des risques.

Afin de minimiser le risque de blessures, toujours porter la protection oculaire appropriée certifiée conforme à la norme ANSI Z87.1.

Sertissage

Avant de procéder au sertissage:

- Assurez-vous que la gouille de retenue est bien calée et que les matrices sont correctement installées.
 - Avant de commencer, inspectez les mâchoires et les matrices pour fissures ou tout signe de dommage. N'utilisez pas de mâchoires ou de matrices endommagées. Communiquez avec un centre de réparations MILWAUKEE.
 - Utilisez seulement des mâchoires, des matrices, des connecteurs et des câbles CORRECTEMENT APPARIÉS. Des combinaisons incorrectes peuvent entraîner un sertissage défectueux.
 - Inspectez et jetez les pièces présentant des fissures ou usées avant l'utilisation. Les matériaux peuvent se fissurer ou se briser.
 - Suivez les spécifications d'installation spécifiées dans le tableau A en utilisant une combinaison approuvée de mâchoires, matrices, connecteurs et câbles, comme indiqué. D'autres utilisations peuvent endommager l'outil, les accessoires et les pièces.
1. Insérez le bloc-piles.
 2. Placez les mâchoires avec les matrices installées autour du connecteur.
 3. Tenez l'outil fermement. Appuyez et maintenez la gâchette.
 4. Une fois le cycle terminé, l'outil s'arrête et le voyant vert s'allume. Relâcher la gâchette.

Voyant indicateur	Définition
Vert fixe	L'outil a terminé l'opération et a atteint la pression de sertissage complet.
Rouge fixe	L'outil a terminé l'opération, mais N'A PAS atteint la pression de sertissage complet.
Rouge clignotant	L'outil N'A PAS terminé l'opération.
Clignotant Rouge/vert	L'outil a atteint son intervalle de service (40.000 sertissages). Le clignotement en rouge/vert commencera après que l'indicateur de fonctionnement s'affiche. Renvoiez l'outil à un centre de réparations MILWAUKEE.

5. Continuer à sertir selon les instructions du tableau A ou les instructions d'installation du fabricant du connecteur.
 - Les pointes doivent être placées uniformément sur le canon du connecteur.
 - Les frises doivent être raisonnablement placées dans les bandes de couleur ou la zone moletée du connecteur.
 - Pour les épissures, commencez à sertir au centre, en travaillant vers l'extérieur tout en alternant les côtés.
 - Pour les cosses, commencez à sertir près du tampon, en travaillant vers le canon.
 - L'orientation du sertissage n'est pas critique sur les connecteurs à fût sans soudure, mais pour de meilleurs résultats, faites pivoter l'outil de 180° entre les pointes.
6. Deux voyants éclaireront la pièce lorsque la gâchette est appuyée.
7. L'identificateur de matrice est imprimé dans le connecteur pendant le sertissage.

Soupape de vidange de secours

S'il faut ouvrir les mâchoires doivent sans avoir terminé le cycle, appuyer et maintenir la valve de vidange de secours. Tenir fermement l'outil jusqu'à ce que le cylindre se rétracte complètement.

ENTRETIEN

AVERTISSEMENT Pour minimiser les risques de blessures corporelles, débranchez le chargeur et retirez la batterie du chargeur ou de l'outil avant d'y effectuer des travaux d'entretien. Ne démontez jamais l'outil, la batterie ou le chargeur. Pour toute réparation, consultez un centre de service MILWAUKEE accrédité.

Entretien de l'outil

Gardez l'outil en bon état en adoptant un programme d'entretien ponctuel. Inspectez votre outil pour des questions telles que le bruit excessif, de grippage des pièces mobiles, de pièces cassées ou toute autre condition qui peut affecter le fonctionnement de l'outil. Retournez votre outil à un centre de service MILWAUKEE accrédité pour obtenir le service. Après une période pouvant aller de 6 mois à un an, selon l'usage, retournez votre outil à un centre de service MILWAUKEE accrédité pour d'inspection.

Si l'outil ne démarre pas ou ne fonctionne pas à pleine puissance alors qu'il est branché sur une batterie complètement chargée, nettoyez les points de contact entre la batterie et l'outil. Si l'outil ne fonctionne toujours pas correctement, renvoyez l'outil, le chargeur et la batterie à un centre de service MILWAUKEE accrédité.

ONE-KEY™

Consultez l'application ONE-KEY pour plus d'information concernant les réparations nécessaires, comme la vie du bloc-piles interne et le nombre de sertissages.

AVERTISSEMENT Risque de brûlure chimique. Ce dispositif contient une pile bouton au lithium. Une pile neuve ou usée peut causer des brûlures internes graves entraînant la mort en seulement 2 heures si avalée ou entrée dans le corps. Toujours fixer le couvercle du compartiment des piles. Si le couvercle ne se ferme pas bien, arrêter d'utiliser le dispositif, retirer les piles et les garder hors de la portée des enfants. Si vous soupçonnez que les piles ont été avalées ou entrées dans le corps, consultez immédiatement un médecin.



Pile interne

Une pile interne est utilisée pour faciliter la fonctionnalité complète ONE-KEY™.

Pour remplacer la pile :

1. Retirer le bloc-piles.
2. Retirer la vis et ouvrir la porte du compartiment de la pile.
3. Retirer le panneau de la pile et enlever la pile usagée. Tenez hors de la portée des enfants et éliminez-la adéquatement.
4. Insérer la nouvelle pile (3V CR2032), avec le côté positif vers le haut.
5. Fermer la porte du compartiment de la pile et serrer la vis fermement.

AVERTISSEMENT Pour minimiser les risques de blessures ou de dommages à l'outil, n'immergez jamais l'outil, la batterie ou le chargeur et ne laissez pas de liquide s'y infiltrer.

Nettoyage

Débarassez les événements des débris et de la poussière. Gardez les poignées propres, à sec et exemptes d'huile ou de graisse. Le nettoyage doit se faire avec un linge humide et un savon doux. Certains nettoyants tels l'essence, la térbenthine, les diluants à laque ou à peinture, les solvants chlorés, l'ammoniaque et les détergents d'usage domestique qui en contiennent pourraient détériorer le plastique et l'isolation des pièces. Ne laissez jamais de solvants inflammables ou combustibles auprès des outils.

Réparations

Pour les réparations, retournez outil, batterie et chargeur en entier au centre-service autorisé le plus près.

ACCESSOIRES

AVERTISSEMENT Retirez toujours la batterie avant de changer ou d'enlever les accessoires. L'utilisation d'autres accessoires que ceux qui sont spécifiquement recommandés pour cet outil peut comporter des risques. Pour une liste complète des accessoires, visiter le site internet www.milwaukeeetool.com ou contactez un distributeur local.

SERVICE - CANADA

Milwaukee Tool (Canada) Ltd

1.800.268.4015

Monday-Friday, 7:00 AM - 4:30 PM CST

www.milwaukeeetool.ca

GARANTIE LIMITÉE - AUX ÉTATS-UNIS ET AU CANADA

Chaque outil électrique* MILWAUKEE (voir exceptions ci-dessous) est garanti à l'acheteur d'origine uniquement pour être exempt de vices de matériaux et de fabrication. Sous réserve de certaines exceptions, MILWAUKEE réparera ou remplacera toute pièce d'un outil électrique qui, après examen par MILWAUKEE, s'est avérée être affectée d'un vice de matériau ou de fabrication et ce pendant une période de cinq (5) ans** à compter de la date d'achat, sauf indication contraire. Retourner l'outil électrique à un centre de réparation en usine MILWAUKEE ou à un poste d'entretien agréé MILWAUKEE, en port prépayé et assuré. Une copie de la preuve d'achat doit être présentée lors du retour du produit. Cette garantie ne couvre pas les dommages que MILWAUKEE détermine être causés par des réparations ou des tentatives de réparation par quiconque autre que le personnel agréé par MILWAUKEE, ou par des utilisations incorrectes, des altérations, des utilisations abusives, une usure normale, une carence d'entretien ou des accidents.

Usure normale : Plusieurs outils électriques requièrent un remplacement et un entretien périodique de leurs pièces pour un meilleur rendement. Cette garantie ne couvre pas la réparation des pièces due à l'utilisation normale de l'outil, y compris, mais sans s'y limiter, les mandrins, les broches, les cordes, les sabots de scie, les portelames, les joints toriques, les joints, les amortisseurs, les lames d'entraînement, les pistons, les percuteurs, les crochets et les rondelles à couvercle amortisseur.

* Cette garantie ne s'applique pas aux cloueuses-agrafeuses pneumatiques, aux pulvérisateurs à peinture sans air, aux blocs-piles pour outils sans fil, aux génératrices d'alimentation portatives à essence, aux outils à main, aux monte-charges - électriques, à levier et à chaîne, aux vestes chauffantes M12™, aux produits ré-usinés, ni aux produits d'essai et de mesure. Il existe des garanties séparées distinctes pour ces produits.

** La période de garantie applicable pour les radios de chantier, le port d'alimentation M12™, la source électrique M18™, le ventilateur de chantier et les chariots de travail industriels Trade Titan™ est d'une durée d'un (1) an à compter de la date d'achat. La période de garantie pour les câbles de nettoyage des drains et les accessoires de pistolet à air de vidange AIRSNAKE™ est de deux (2) ans à compter de la date d'achat. La période de garantie pour le Pistolet thermique compact M18™, Dépoussiéreur de 8 gallons, M18™ cloueuses à ossature, M18 FUEL™ 1/2" clé à choc de enclume prolongé, couple contrôlé avec ONE-KEY™ et M18 FUEL™ 1" clé à choc de couple élevé avec ONE-KEY™ est de trois (3) ans à compter de la date d'achat. La période de garantie couvrant la DEL de la lampe de travail à DEL et l'ampoule améliorée à DEL de la lampe de travail est une garantie à vie du produit soumise aux limitations ci-dessus. En cas de défaillance de la DEL ou de l'ampoule à DEL pendant son utilisation normale, la pièce défectueuse sera remplacée gratuitement.

L'enregistrement de la garantie n'est pas nécessaire pour bénéficier de la garantie en vigueur sur un outil électrique MILWAUKEE. La date de fabrication du produit servira à établir la période de garantie, si aucune preuve d'achat n'est fournie lorsqu'une demande de service sous garantie est déposée.

L'ACCEPTATION DES RECOURS EXCLUSIFS DE RÉPARATION ET DE REMPLACEMENT DÉCRITS DANS LES PRÉSENTES EST UNE CONDITION DU CONTRAT D'ACHAT DE TOUT PRODUIT MILWAUKEE. SI VOUS N'ACCEPTÉZ PAS CETTE CONDITION, VOUS NE DEVEZ PAS ACHETER LE PRODUIT EN AUCUN CAS. MILWAUKEE NE SAURAIT ÊTRE RESPONSABLE DE TOUT DOMMAGE ACCESSOIRE, SPÉCIAL OU INDIRECT, DE DOMMAGES-INTÉRÊTS PUNITIFS OU DE TOUTE DÉPENSE, D'HONORAIRES D'AVOCAT, DE FRAIS, DE PERTE OU DE DELAIS ACCESSOIRES À TOUT DOMMAGE, DÉFAILLANCE OU DÉFAUT DE TOUT PRODUIT, Y COMPRIS NOTAMMENT LES PERTES DE PROFIT, CERTAINS ÉTATS ET PROVINCES NE PERMETTANT L'EXCLUSION OU LA LIMITATION DES DOMMAGES DIRECTS OU INDIRECTS, LES RESTRICTIONS CI-DESSUS PEUVENT NE PAS VOUS ÊTRE APPLICABLES. CETTE GARANTIE EST EXCLUSIVE ET REMPLACE TOUTE AUTRE GARANTIE EXPRESSE, QU'ELLE SOIT VERBALE OU ÉCRITE. DANS LA MESURE PERMISE PAR LA LOI, MILWAUKEE RENONCE À TOUTE GARANTIE IMPLICITE, Y COMPRIS, MAIS SANS S'Y LIMITER, TOUTE GARANTIE IMPLICITE DE QUALITÉ MARCHANDE OU D'ADAPTATION À UNE UTILISATION OU À UNE FIN PARTICULIÈRE. DANS LA MESURE OU UNE TELLE STIPULATION D'EXONÉRATION N'EST PAS PERMISE PAR LA LOI, LA DURÉE DE CES GARANTIES IMPLICITES EST LIMITÉE À LA PÉRIODE APPLICABLE DE LA GARANTIE EXPRESSE, TEL QUE CELA EST DÉCRIT PRÉCÉDEMMENT. CERTAINS ÉTATS ET PROVINCES NE PERMETTANT PAS DE LIMITATION DE DURÉE DES GARANTIES IMPLICITES, LES RESTRICTIONS CI-DESSUS PEUVENT DONC NE PAS VOUS ÊTRE APPLICABLES. LA PRÉSENTE VOUS CONFÈRE DES DROITS LEGAUX PARTICULIERS; VOUS BÉNÉFICIEZ ÉGALEMENT D'AUTRES DROITS QUI VARIENT D'UN ÉTAT À UN AUTRE.

Cette garantie s'applique aux produits vendus aux États-Unis et au Canada uniquement.

Veillez consulter la rubrique Centre SAV Milwaukee, dans la section Pièces et Services du site Web de MILWAUKEE, à l'adresse www.milwaukeeustool.com, ou composer le 1-800-SAWDUST (1-800-729-3878) afin de trouver le centre de service de votre région le plus proche pour l'entretien, sous garantie ou non, de votre outil électrique Milwaukee.

ADVERTENCIAS DE SEGURIDAD GENERALES PARA LA HERRAMIENTA ELÉCTRICA

⚠️ ADVERTENCIA Lea todas las advertencias de seguridad, instrucciones, ilustraciones y especificaciones con esta herramienta eléctrica. Si no sigue todas las advertencias e instrucciones, se pueden provocar una descarga eléctrica, un incendio o lesiones graves. **Guarde todas las advertencias e instrucciones para consultarlas en el futuro.** El término "herramienta eléctrica" en todas las advertencias incluidas más abajo se refiere a su herramienta operada por conexión (cable) a la red eléctrica o por medio de una batería (inalámbrica).

SEGURIDAD EN EL ÁREA DE TRABAJO

- **Mantenga el área de trabajo limpia y bien iluminada.** Las áreas desordenadas u oscuras son propicias para los accidentes.
- **No utilice herramientas eléctricas en atmósferas explosivas, tales como en presencia de líquidos, gases o polvos inflamables.** Las herramientas eléctricas generan chispas que pueden encender el polvo o los vapores.
- **Mantenga a los niños y a los espectadores alejados mientras utiliza una herramienta eléctrica.** Las distracciones pueden ocasionar la pérdida de control.

SEGURIDAD ELÉCTRICA

- **Los enchufes de la herramienta eléctrica deben coincidir con el tomacorriente.** Nunca modifique el enchufe de ninguna manera. No utilice adaptadores de enchufe con herramientas eléctricas aterrizadas. Los enchufes y tomacorrientes correspondientes sin modificar reducirán el riesgo de descarga eléctrica.
- **Evite el contacto corporal con superficies aterrizadas, tales como tuberías, radiadores, estufas y refrigeradores.** Existe un riesgo mayor de descarga eléctrica si su cuerpo está aterrizado.
- **No exponga las herramientas eléctricas a la lluvia ni a condiciones húmedas.** Si se introduce agua en una herramienta eléctrica, aumentará el riesgo de descarga eléctrica.
- **No maltrate el cable.** Nunca utilice el cable para cargar, jalar o desconectar la herramienta eléctrica. Mantenga el cable alejado del calor, el aceite, los bordes afilados o las partes en movimiento. Los cables dañados o enredados aumentan el riesgo de descarga eléctrica.
- **Al utilizar una herramienta eléctrica en exteriores, utilice una extensión adecuada para uso en exteriores.** El uso de una extensión adecuada para el uso en exteriores disminuye el riesgo de descarga eléctrica.
- **Si es inevitable utilizar una herramienta eléctrica en un lugar húmedo, utilice un alimentador de corriente protegido con un interruptor de circuito por falla de conexión a tierra (GFCI).** El uso de un GFCI reduce el riesgo de descarga eléctrica.

SEGURIDAD PERSONAL

- **Manténgase alerta, atento a lo que está haciendo y utilice el sentido común al utilizar una herramienta eléctrica.** No utilice una herramienta eléctrica mientras está cansado o bajo la influencia de drogas, alcohol o medicamentos. Un momento de distracción al utilizar herramientas eléctricas puede ocasionar lesiones personales graves.
- **Utilice equipo de protección personal. Siempre use protección para los ojos.** El equipo de protección, tal como una máscara contra polvo, calzado antidesli-

GARANTIE LIMITÉE – MEXIQUE, AMÉRIQUE CENTRALE ET CARAIBES

TECHTRONIC INDUSTRIES' garantit le produit pendant 5 ans à partir de la date d'achat d'origine.

Le présent bon de garantie couvre tous les vices de matériau et de fabrication que peut afficher ce produit.

Pour assurer la validité de la présente garantie, veuillez présenter ce bon de garantie, estampillé du sceau du distributeur ou du magasin où le produit a été acheté, au centre de réparations agréé. Si le bon de garantie n'a pas été estampillé, veuillez fournir la preuve d'achat d'origine au centre de réparations agréé.

Pour un entretien des pièces, des accessoires ou des composants, composer 55 4160-3547 afin d'obtenir les coordonnées du centre de réparations agréé le plus près.

Procédure pour assurer la validité de la garantie

Présenter le produit au centre de réparations agréé, accompagné du bon de garantie estampillé du sceau du distributeur ou du magasin où le produit a été acheté. Toute pièce défectueuse ou tout composant défectueux sera remplacé(e) sans frais. Milwaukee assume tous les frais de transport liés à ce processus de garantie.

Exceptions

Cette garantie ne s'applique pas dans les situations suivantes :

- a) Si le produit a été utilisé pour une fin autre que celle indiquée dans le guide de l'utilisateur final ou le manuel d'instructions.
- b) Si les conditions d'utilisations ne sont pas habituelles.
- c) Si le produit a été modifié ou réparé par une personne non autorisée par TECHTRONIC INDUSTRIES.

Remarque : Si le cordon électrique est endommagé, il doit être remplacé par un centre de réparations agréé pour éviter les risques d'électrocution.

CENTRE DE RÉPARATIONS ET DE SERVICE

Composer le 55 4160-3547

IMPORTÉ ET COMMERCIALISÉ PAR

TECHTRONIC INDUSTRIES, MEXIQUE, S.A. DE C.V.
Miguel de Cervantes Saavedra No.301 Piso 5, Torre Norte
11520 Colonia Ampliación Granada
Miguel Hidalgo, Ciudad de Mexico, Mexico

Modèle : _____

Date d'achat : _____

Sceau du distributeur ou du magasin : _____

zante, casco o protección auditiva, utilizado para condiciones adecuadas disminuirá las lesiones personales.

- **Evite el arranque accidental. Asegúrese de que el interruptor esté en la posición de apagado antes de conectarlo a una fuente de poder y/o batería, levantar o trasladar la herramienta.** Traslada herramientas con el dedo en el interruptor o energizar herramientas eléctricas que tienen el interruptor encendido propicia accidentes.
- **Retire cualquier llave de ajuste antes de entender la herramienta.** Una llave que se deje insertada en una parte giratoria de la herramienta eléctrica puede ocasionar lesiones personales.
- **No estire el cuerpo demasiado. Mantenga un buen contacto entre los pies y el suelo y mantenga el equilibrio en todo momento.** Esto permite un mejor control de la herramienta eléctrica en situaciones inesperadas.
- **Vístase adecuadamente. No utilice ropa o joyería holgada.** Mantenga el cabello y la ropa alejados de las partes móviles. La ropa holgada, las alhajas o el cabello largo pueden quedarse atrapados en las partes móviles.
- **Si se proporcionan dispositivos para la conexión de instalaciones de extracción y recolección de polvo, cerciórese de que estén conectados y se utilicen correctamente.** El uso de dispositivos recolectores de polvo puede disminuir los riesgos relacionados con el polvo.
- **No permita que la familiaridad por el uso frecuente de las herramientas lo hagan sentirse seguro e ignorar los principios de seguridad de las herramientas.** Un descuido puede provocar lesiones graves en una fracción de segundo.

USO Y CUIDADO DE LAS HERRAMIENTAS ELÉCTRICAS

- **No fuerce la herramienta eléctrica. Utilice la herramienta eléctrica correcta para su aplicación.** La herramienta eléctrica correcta realizará el trabajo mejor y con mayor seguridad a la velocidad para la que fue diseñada.
- **No utilice la herramienta eléctrica si el interruptor no la enciende y la apaga.** Cualquier herramienta eléctrica que no pueda controlarse con el interruptor es peligrosa y debe repararse.
- **Desconecte el enchufe de la fuente de energía y/o quite la batería de la herramienta eléctrica, si es posible, antes de realizar cualquier ajuste, cambiar accesorios o almacenar las herramientas eléctricas.** Tales medidas preventivas de seguridad disminuyen el riesgo de que la herramienta eléctrica se encienda accidentalmente.
- **Almacene las herramientas eléctricas que no se estén utilizando fuera del alcance de los niños y no permita que personas que no estén familiarizadas con la herramienta eléctrica o con estas instrucciones la utilicen.** Las herramientas eléctricas son peligrosas en manos de usuarios sin capacitación.
- **Dé mantenimiento a las herramientas eléctricas y accesorios.** Verifique que no haya desalineación, amarre de partes móviles, partes rotas o alguna otra condición que pueda afectar el funcionamiento de la herramienta eléctrica. Si se daña, asegúrese de que la herramienta eléctrica sea reparada antes de que se utilice. Muchos accidentes son ocasionados por herramientas eléctricas con mantenimiento deficiente.
- **Mantenga las herramientas de corte afiladas y limpias.** Las herramientas de corte correctamente mantenidas con bordes de corte afilados son menos propensas a atorarse y son más fáciles de controlar.
- **Utilice la herramienta eléctrica, los accesorios y las puntas, etc. de acuerdo con estas instrucciones, tomando en cuenta las condiciones de trabajo y el**

trabajo a realizar. El uso de la herramienta eléctrica para operaciones diferentes a las previstas podría generar una situación peligrosa.

- **Mantenga las empuñaduras y ñas superficies de sujeción secas, limpias y libres de aceite y grasa.** Las empuñaduras y superficies de sujeción resbalosas no permiten el manejo y control seguros de la herramienta en situaciones inesperadas.

USO Y CUIDADO DE LAS HERRAMIENTAS CON BATERÍA

- **Recargue únicamente con el cargador especificado por el fabricante.** Un cargador que es adecuado para un tipo de batería puede crear un riesgo de incendio si se utiliza con otra batería.
- **Utilice las herramientas eléctricas únicamente con baterías específicamente diseñadas.** El uso de cualquier otra batería puede producir un riesgo de lesiones e incendio.
- **Cuando la batería no esté en uso, manténgala alejada de otros objetos metálicos como sujetapapeles, monedas, llaves, clavos, tornillos u otros objetos metálicos pequeños que puedan formar una conexión de una terminal a otra.** Crear un corto entre las terminales de la batería puede ocasionar quemaduras o un incendio.
- **Bajo condiciones de maltrato, el líquido puede ser expulsado de la batería, evite el contacto. En caso de contacto accidental, lave con agua. Si el líquido entra en contacto con los ojos, busque además ayuda médica.** El líquido expulsado de la batería puede causar irritación o quemaduras.
- **No use una batería o herramienta que se haya dañado o modificado.** Las baterías dañadas o modificadas pueden mostrar un comportamiento impredecible, causando incendios, explosión o riesgo de lesión.
- **No exponga una batería o herramienta al fuego o a temperatura excesiva.** La exposición a fuego o temperatura a más de 130° C (265° F) puede causar explosiones.
- **Siga todas las instrucciones de carga y no cargue la batería o la herramienta fuera del rango de temperatura especificado en las instrucciones.** La carga incorrecta o a temperaturas fuera del rango especificado puede dañar la batería y aumentar el riesgo de incendio.

MANTENIMIENTO

- **Lleve su herramienta eléctrica a servicio con un técnico calificado que use únicamente piezas de reemplazo idénticas.** Esto asegurará que la seguridad de la herramienta eléctrica se mantenga.
- **Nunca dé servicio a baterías dañadas.** Únicamente el fabricante o proveedores de servicio autorizados deben dar servicio a las baterías.

REGLAS ESPECÍFICAS DE SEGURIDAD CRIMPADORA

- **Use la herramienta únicamente como se indica.** Solo el personal capacitado debe operar la herramienta.
- **⚠️ ADVERTENCIA** Para reducir las posibilidades de que se presenten riesgos de arco eléctrico, choque eléctrico o daños a la propiedad, trabaja en líneas desenergizadas cuando resulte posible. La herramienta no cuenta con aislamiento. En caso de que sea necesario trabajar en líneas energizadas, asegúrese de que se hayan tomado todas las debidas precauciones, incluidas aquellas que figuran en NFPA 70E, con anticipación.
- **Use únicamente la herramienta con las mordazas crimpadoras MILWAUKEE 49-16-U000 o 49-16-U111, troqueles tipo "U" y conectores para los**

cuales está diseñada. Las mordazas, los troqueles y los conectores deben **CORRESPONDER CORRECTAMENTE** para lograr una operación exitosa. Las combinaciones inadecuadas pueden producir un crimpado con fallas. Puede presentarse una descarga eléctrica, incendio, explosión y daño a la propiedad.

- **No utilice la herramienta sin las mordazas instaladas.** Los dedos podrían estar heridos.
- **Mantenga las manos alejadas de las mordazas mientras la herramienta esté en uso.** Los dedos podrían estar heridos.
- **Para reducir el riesgo de lesiones, utilice gafas o lentes de seguridad con protectores laterales al operar o dar servicio a la herramienta.**
- **Inspeccione y descarte las piezas de trabajo con fisuras o desgaste antes de usarlas.** Los materiales pueden fisurarse o quebrarse.
- **Siga las especificaciones de instalación como se especifica en la tabla A utilizando una combinación aprobada de mandíbulas, matrices, conectores y cables según se indique.** Otros usos pueden causar daños a la herramienta, los accesorios y la pieza de trabajo.
- **Válgase siempre de su sentido común y sea cuidadoso cuando utilice herramientas.** No es posible anticipar todas las situaciones que podrían tener un desenlace peligroso. No utilice esta herramienta si no entiende estas instrucciones de uso o si considera que el trabajo a realizar supera sus capacidades, comuníquese con Milwaukee Tool o con un profesional capacitado para recibir capacitación o información adicional.
- **Conserve las etiquetas y las placas nominales.** Contienen información importante. Si son ilegibles o no están presentes, comuníquese con un centro de servicio MILWAUKEE para obtener un reemplazo gratuito.

ADVERTENCIA Algunos polvos generados por el lijado eléctrico, aserrado, pulido, taladrado y otras actividades de construcción contienen químicos identificados como causantes de cáncer, defectos congénitos u otros daños reproductivos. Algunos ejemplos de estos químicos son:

- plomo de pintura basada en plomo
- dióxido de silicio de los ladrillos y el cemento y otros productos de albañilería y
- arsénico y cromo de madera con tratamiento químico. Su riesgo por estas exposiciones varía, dependiendo de la frecuencia con que realice este tipo de trabajo. Para reducir su exposición a estos químicos: trabaje en un área bien ventilada y trabaje con equipo de seguridad aprobado, como mascarillas protectoras contra polvo especialmente diseñadas para filtrar partículas microscópicas.

ESPECIFICACIONES

Cat. No. 2679-20
 Volts 18 CD
 Tipo de batería M18™
 Tipo de cargador M18™
 Temp. de operación -18 - 50° C (0° - 122° F)
 Fuerza 53,4 kN (6T)

Mordazas crimpadoras

Cat. No. 49-16-U000
 Tipo de mordaza M18™ 600 MCM U Estilo
 Mordazas crimpadora
 Capacidad crimpadora máxima 600 MCM de Cu/
 350 MCM de Al

Cat. No. 49-16-U111
 Tipo de mordaza M18™ 750 MCM U Estilo
 Mordazas crimpadora
 Capacidad crimpadora máxima 750 MCM de Cu/
 750 MCM de Al

Mordazas de corte por cable

Cat. No. 49-16-2780
 Tipo de mordaza M18™ 750 MCM de Cu/
 1 000 MCM de Al
 Mordazas de corte cable
 Capacidad corte máxima 750 MCM de Cu/
 1 000 MCM de Al
 Cuchillas de repuesto Cat. No. 48-44-0411

SIMBOLOGÍA



Volts



Corriente directa



Underwriters Laboratories, Inc.
 Estados Unidos y Canadá



ADVERTENCIA Para reducir las posibilidades de que se presenten riesgos de arco eléctrico, choque eléctrico o daños a la propiedad, trabaja en líneas desenergizadas cuando resulte posible. La herramienta no cuenta con aislamiento. En caso de que sea necesario trabajar en líneas energizadas, asegúrese de que se hayan tomado todas las debidas precauciones, incluidas aquellas que figuran en NFPA 70E, con anticipación.



ADVERTENCIA Mantenga las manos alejadas de las mordazas mientras se esté usando la herramienta. Los dedos podrían estar heridos.

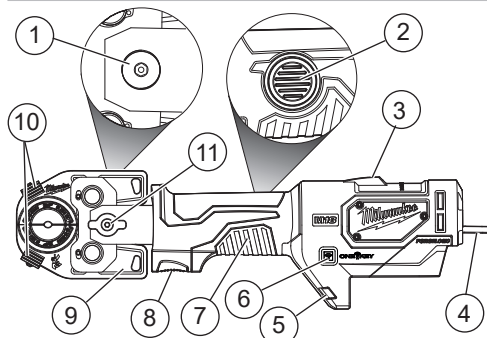


Para reducir el riesgo de lesiones, utilice gafas o lentes de seguridad con protectores laterales al operar o dar servicio a la herramienta.



Lea el manual del operador.

DESCRIPCION FUNCIONAL



1. Tornillo de fijación de ajuste manual
2. Válvula de liberación de respaldo
3. Indicador de crimpado
4. Colgador
5. LED
6. Indicador de ONE-KEY™
7. Empuñadura
8. Gatillo
9. Mordazas crimpadoras
10. Pestañas de liberación de troque
11. Pasador de retención



Tabla A
Las conexiones hechas con la herramienta 2779-20 o 2679-20 con mordaza 49-16-U000 o 49-16-U111 y combinación de troquel y números de parte de conector en los cuadros de abajo producen crimpados clasificados por cULus según las normas de Clasificación UL 486A-B.

Orejetas y empalmes de cobre tipo barril cortos y largos

	Anderson	Blackburn®	Burndy	ILSCO	Panduit	Penn-Union	T&B
Nos. de modelo de empalme	VHSS VHS	CSP CU	YS YS-L YS-T	CT CTL	SCSS SCS SCL SCH	BCU BBCU	54504-54523-TB 54804-54823
Nos. de modelo de orejetas	VHCS VHCL	CTL-2 CTL CTL-L LCN	YA, YAZ, YA-L, YA-2L, YA-2LN, YA-L-NT, YA-L-2NT, YA-L-TC, YA-L-2TC, YA-2N, YA-TC, YA-2TC	CLN, CLND, CLNS, CLW, CLWD, CRA, CRB, CRA-L, CRB-L, CRA-2L, CRB-2L, CSW, CSWS	LCAS LCA LCD LCB LCC	BLU BBLU	54104-54123-TB 54204-54223 54850BE-54880BE 54930BE-54923BE

Tamaño de cable (sólo código)	Color del troquel	Cat. No.	Marca de muesca del troquel	Orejetas: No. total de crimpados Empalmes: No. de crimpados por lado						
				Anderson	Blackburn®	Burndy	ILSCO	Panduit	Penn-Union	T&B
#8 AWG	ROJO	49-16-U008C	8	1	1	1	1	1	1	
#6 AWG	AZUL	49-16-U006C	6							
#4 AWG	GRIS	49-16-U004C	4							
#2 AWG	CAFÉ	49-16-U002C	2							
#1 AWG	VERDE	49-16-U001C	1							
1/0 AWG	ROSA	49-16-U01AC	1/0							
2/0 AWG	NEGRO	49-16-U02AC	2/0							
3/0 AWG	ANARANJADO	49-16-U03AC	3/0							
4/0 AWG	MORADO	49-16-U04AC	4/0							
250 MCM	AMARILLO	49-16-U250C	250							
300 MCM	BLANCO	49-16-U300C	300	2	2	2	2	2	2	
350 MCM	ROJO	49-16-U350C	350							
400 MCM	AZUL	49-16-U400C	400							
500 MCM	CAFÉ	49-16-U500C	500							
600 MCM	VERDE	49-16-U600C	600							
750 MCM	NEGRO	49-16-U750C*	750							
										3

Orejetas y empalmes de clasificación dual

	Anderson	Blackburn®	Burndy	ILSCO	Panduit	Penn-Union	T&B
Nos. de modelo de empalme	VACS	ASP	YS-A	AS ASN	SA	BCUA	60501-60578
Nos. de modelo de orejetas	VACL	ATL	YA-A YA-ATN	ACL, ACN, ALND, ALNS, 2ACL, 2ACN, ALNN	LAA LAB	BLUA	60101-60178 60230-60278

Tamaño de cable (sólo código)	Color del troquel	Cat. No.	Marca de muesca del troquel	Orejetas: No. total de crimpados Empalmes: No. de crimpados por lado						
				Anderson	Blackburn®	Burndy	ILSCO	Panduit	Penn-Union	T&B
#8 AWG	AZUL	49-16-U008	8	Orejetas: N/A Empalmes: 2	Orejetas: 2 Empalmes: N/A	2	2	2	2	2
#6 AWG	GRIS	49-16-U006	6							
#4 AWG	VERDE	49-16-U004	4							
#2 AWG	ROSA	49-16-U002	2							
#1 AWG	DORADO	49-16-U001	1							
1/0 AWG	CAFÉ CLARO	49-16-U01A	1/0							
2/0 AWG	VERDE OLIVA	49-16-U02A	2/0							
3/0 AWG	ROJO RUBÍ	49-16-U03A	3/0							
4/0 AWG	BLANCO	49-16-U04A	4/0							
250 MCM	ROJO	49-16-U250	250							
300 MCM	AZUL	49-16-U300	300							
350 MCM	CAFÉ	49-16-U350	350							
400 MCM	VERDE	49-16-U400*	400							
500 MCM	ROSADO	49-16-U500*	500							
600 MCM	NEGRO	49-16-U600*	600							
750 MCM	AMARILLO	49-16-U750*	750							

*La conexión debe usar la mandíbula 49-16-U111. El número de rizados es mínimo. Las ondulaciones adicionales no afectarían negativamente a la integridad de la conexión, siempre que se coloquen de manera uniforme entre el área de engarzado prevista del conector, típicamente delineada con bandas de color o estriás. Para conocer el último listado de aprobación, visite milwaukeetool.com. Para asistencia técnica o de servicio, contacte a Servicio al Cliente de Milwaukee al 1-800-729-3878.

ENSAMBLAJE

⚠ ADVERTENCIA Recargue la batería sólo con el cargador especificado para ella. Para instrucciones específicas sobre cómo cargar, lea el manual del operador suministrado con su cargador y la batería.

Como se inserta/quita la batería en la herramienta

Para retirar la batería, presione los botones de liberación y jale de la batería para sacarla de la herramienta.

Para introducir la batería, deslícela en el cuerpo de la herramienta. Asegúrese de que quede bien firme en su posición.

⚠ ADVERTENCIA Para reducir el riesgo de lesiones, extraiga siempre la batería antes de acoplar o desacoplar accesorios. Utilice únicamente accesorios específicamente recomendados para esta herramienta. El uso de accesorios no recomendados podría resultar peligroso.

Inserción/extracción de las mordazas crimpadoras

1. Extraiga la batería.
2. Quite el tornillo de fijación de ajuste manual (cuando se utiliza) de la parte posterior del pasador de retención.
3. Empuje hacia dentro y luego gire el pasador de retención hacia la izquierda 90°. El pasador se botará.
4. Inserte las mordazas crimpadoras. Alinee el orificio central con el pasador de retención.
5. Introduzca el pasador de retención y gírelo 90° hacia la derecha.
6. Inserte y apriete a mano el tornillo de fijación de ajuste manual.
NOTA: Utilice el tornillo de fijación de ajuste manual para evitar que tornillo de fijación de ajuste no se afloja. Un tornillo de fijación de ajuste suelto puede dañar la herramienta.
7. Gire las mordazas al ángulo deseado.

⚠ PRECAUCIÓN Para evitar daños a la herramienta, no opere la herramienta sin el pasador de retención totalmente insertado y bloqueado en su posición. Pueden presentarse daños al cilindro.

⚠ ADVERTENCIA Un crimpado incompleto o defectuoso podría ocasionar un incendio. Use únicamente la herramienta con las mordazas crimpadoras MILWAUKEE 49-16-U000 o 49-16-U111, troqueles tipo "U" y conectores para los cuales está diseñada. Las mordazas, los troqueles y los conectores deben corresponder correctamente para lograr una operación exitosa. Las combinaciones inadecuadas pueden producir un crimpado con fallas. Puede presentarse una descarga eléctrica, incendio, explosión y daño a la propiedad.

Cambio de los troqueles

Inspeccione los troqueles y los conectores antes de usarlos. Utilice únicamente troqueles y conectores que correspondan correctamente para las mordazas crimpadoras. Consulte la tabla A para conocer la compatibilidad del dado / conector.

1. Extraiga la batería.
2. Abra las mordazas apretando la parte posterior de la cabeza crimpadora.

3. Coloque a presión los troqueles correspondientes en cada lado de las mordazas crimpadoras. Suelte las mordazas.
4. Para quitarlas, abra las mordazas apretando la parte posterior de la cabeza crimpadora. Jale hacia fuera las pestañas de liberación del troquel. Jale los troqueles para sacarlos de las mordazas crimpadoras.

ONE-KEY™

Para obtener más información acerca de la funcionalidad de ONE-KEY™ para esta herramienta, visite milwaukeetool.com/One-Key. Para descargar la aplicación ONE-KEY™, visite la App Store o Google Play desde su dispositivo inteligente.

Mordazas de corte (no incluido)

La crimpadora es compatible con las siguientes mordazas de corte de MILWAUKEE. Consulte las instrucciones de las mordazas de corte para su uso.

Tipo de mordaza	Capacidad máxima
Mordazas 750 MCM de Cu/Al (Cat. No. 49-16-2780)	750 MCM de Cu/ 1 000 MCM de Al

OPERACION

⚠ ADVERTENCIA Para reducir las posibilidades de que se presenten riesgos de arco eléctrico, choque eléctrico o daños a la propiedad, trabaje en líneas desenergizadas cuando resulte posible. La herramienta no cuenta con aislamiento. En caso de que sea necesario trabajar en líneas energizadas, asegúrese de que se hayan tomado todas las debidas precauciones, incluidas aquellas que figuran en NFPA 70E, con anticipación.

Mantenga las manos alejadas de las mordazas crimpadoras mientras se esté usando la herramienta. Los dedos podrían aplastarse.

Para reducir el riesgo de lesiones, extraiga siempre la batería antes de acoplar o desacoplar accesorios. Utilice únicamente accesorios específicamente recomendados para esta herramienta. El uso de accesorios no recomendados podría resultar peligroso.

Con el fin de minimizar el riesgo de lesiones, siempre utilice la protección de ojos adecuada indicada para cumplir con lo dispuesto en la norma ANSI Z87.1.

Crimpado

Antes de crimpar:

- Asegúrese de que el pasador de retención esté correctamente asentado y que los troqueles estén debidamente instalados.
- Antes de iniciar, inspeccione las mordazas y los troqueles para detectar grietas u otros daños. No utilice mordazas o troqueles dañados. Comuníquese con un centro de servicio MILWAUKEE.
- Use únicamente mordazas, troqueles, conectores y cables QUE CORRESPONDAN CORRECTAMENTE. Las combinaciones inadecuadas pueden producir un crimpado con fallas.
- Inspeccione y descarte las piezas de trabajo con fisuras o desgaste antes de usarlas. Los materiales pueden fisurarse o quebrarse.
- Siga las especificaciones de instalación como se especifica en la tabla A utilizando una combinación aprobada de mandíbulas, matrices, conectores y cables según se indique. Otros usos pueden causar daños a la herramienta, los accesorios y la pieza de trabajo.

1. Inserte la batería.
2. Coloque las mordazas con los troqueles instalados alrededor del conector.
3. Sostenga la herramienta firmemente. Presione sin soltar el gatillo.
4. Cuando el ciclo haya finalizado, la herramienta se apagará y el indicador se iluminará. Suelte el gatillo.

LED Indicador	Definición
Verde fijo	La herramienta terminó la operación y alcanzó la presión total de crimpado.
Rojo fijo	La herramienta terminó la operación pero NO alcanzó la presión total de crimpado.
Rojo destellando	La herramienta NO realizó la operación.
Destellando Rojo/Verde (después Verde y Rojo fijo)	La herramienta llegó a su intervalo de servicio (40,000 crimpados). El color verde/rojo empezará a destellar después de que se muestre el indicador de la operación. Devuelva la herramienta a un centro de servicio MILWAUKEE.

5. Continúe pensando de acuerdo con las instrucciones en la Tabla A o las instrucciones de instalación del fabricante del conector.
 - Los engarces deben colocarse uniformemente en el cañón del conector.
 - Los engarces deben colocarse razonablemente dentro de las bandas de color o área moleteada del conector.
 - Para empalmes, comience a apretar en el centro, trabajando hacia afuera mientras alterna los lados.
 - Para las orejetas, comience a apretar cerca de la almohadilla, trabajando hacia el cañón.
 - La orientación del engarzado no es crítica en los conectores de barril sin costura, pero para obtener los mejores resultados, gire la herramienta 180° entre los pliegues.
6. Dos focos LED iluminarán la pieza de trabajo al jalar el gatillo.
7. El identificador de troquel se presiona dentro del conector durante el crimpado.

Válvula de liberación de respaldo

Si las mordazas necesitan abrirse sin finalizar el ciclo, presione sin soltar la válvula de liberación de respaldo. Sostenga la herramienta firmemente hasta que el cilindro se retraiga por completo.

MANTENIMIENTO

ADVERTENCIA Para reducir el riesgo de una lesión, desconecte siempre la herramienta antes de darle cualquier mantenimiento. Nunca desarme la herramienta ni trate de hacer modificaciones en el sistema eléctrico de la misma. Acuda siempre a un Centro de Servicio MILWAUKEE para TODAS las reparaciones.

Mantenimiento de las herramientas

Adopte un programa regular de mantenimiento y mantenga su herramienta en buenas condiciones. Inspeccione la herramienta para problemas como ruidos indebidos, desalineadas o agarrotadas de partes móviles, piezas rotas o cualquier otra condición que pueda afectar el funcionamiento de la herramienta. Envíe su herramienta al Centro de

Servicio MILWAUKEE para reparación. Después de 6 meses a un año, dependiendo del uso dado, envíe su herramienta al Centro de Servicio MILWAUKEE más cercano para la inspección. Si la herramienta no arranca u opera a toda su potencia con una batería completamente cargada, limpie, con una goma o borrador, los contactos de la batería y de la herramienta. Si aun así la herramienta no trabaja correctamente, regrésela, con el cargador y la batería, a un centro de servicio MILWAUKEE.

ONE-KEY™

Consulte la aplicación ONE-KEY para obtener información referente al servicio necesario, como la vida de la batería interna y el recuento de crimpados.

ADVERTENCIA Riesgo de quemadura química.

Este dispositivo contiene una batería de botón/tipo moneda de litio. Una batería nueva o usada puede causar quemaduras internas graves y causar la muerte tan solo en 2 horas si se ingiere o entra al cuerpo. Siempre asegure la cubierta de la batería. Si no se cierra con firmeza, deje de usar el dispositivo, retire las baterías y manténgala alejada de los niños. Si cree que las baterías pudieron ser ingeridas o entraron al cuerpo, busque atención médica de inmediato.



Batería interna

Se usa una batería interna para facilitar toda la funcionalidad de ONE-KEY™.

Para reemplazar la batería:

1. Retire el paquete de baterías.
2. Retire el tornillo(s) y abra la tapa de la batería.
3. Saque el panel de las baterías y retire la batería vieja. Mantenga fuera del alcance de los niños y deseche correctamente.
4. Inserte la nueva batería (3V CR2032), con el lado positivo hacia arriba.
5. Cierre la tapa de la batería y atornille con firmeza.

ADVERTENCIA Para reducir el riesgo de una explosión, no quemar nunca una batería, aun si está dañada, "muerta" o completamente descargada.

Limpieza

Limpie el polvo y suciedad de las ventilas. Mantenga los mangos limpios, secos y libres de aceite o grasa. Use solo jabón neutro y un trapo húmedo para limpiar, ya que algunos sustancias y solventes limpiadores son dañinos a los plásticos y partes aislantes. Algunos de estos incluyen: gasolina, turpentina, thinner, lacas, thinner para pinturas, solventes para limpieza con cloro, amoníaco y detergentes caseros que tengan amonía. Nunca use solventes inflamables o combustibles cerca de una herramienta.

Reparaciones

Si su herramienta, batería o cargador están dañados, envíela al centro de servicio autorizado más cercano.

ACCESORIOS

ADVERTENCIA Para reducir el riesgo de lesiones, siempre extraiga la batería antes de cambiar o retirar accesorios. Utilice únicamente accesorios específicamente recomendados para esta herramienta. El uso de accesorios no recomendados podría resultar peligroso.

Para una lista completa de accesorios, visite nuestro sitio en Internet: www.milwaukeeool.com o póngase en contacto con un distribuidor local.

SOPORTE DE SERVICIO - MEXICO

CENTRO DE ATENCION A CLIENTES

Techtronic Industries Mexico, S.A. de C.V.

Av. Presidente Masarik 29 Piso 7

11560 Polanco V Seccion

Miguel Hidalgo, Distrito Federal, México

01 (800) 030-7777 o (55) 4160-3540

Lunes a Viernes (9am a 6pm)

O contactarnos en www.milwaukeeool.com.mx

GARANTIA LIMITADA - E.U.A. Y CANADÁ

Cada herramienta eléctrica* de MILWAUKEE (ver excepciones a continuación) está garantizada para el comprador original únicamente de que no tenga material y mano de obra defectuosos. Sujeto a ciertas excepciones, MILWAUKEE reparará o reemplazará cualquier parte en una herramienta eléctrica que tenga defectos de material o mano de obra según lo determine MILWAUKEE mediante una revisión, por un periodo de cinco (5) años** después de la fecha de compra a menos que se indique lo contrario. Al devolver la herramienta eléctrica a un Centro de Servicio de la fábrica de MILWAUKEE o a una Estación de Servicio Autorizada de MILWAUKEE, se requiere que el flete esté pagado por adelantado y asegurado. Se debe incluir una copia del comprobante de compra con el producto devuelto. Esta garantía no aplica a daños que MILWAUKEE determine que son ocasionados por reparaciones o intentos de reparaciones realizados por una persona que no sea personal autorizado de MILWAUKEE, uso indebido, alteraciones, maltrato, desgaste normal, falta de mantenimiento o accidentes.

Desgaste normal: Muchas herramientas eléctricas necesitan un reemplazo periódico de partes y servicio para lograr el mejor desempeño. Esta garantía no cubre la reparación cuando el uso normal ha agotado la vida de una parte, incluyendo sin limitar a mandriles, cepillos, cables, zapatas de la sierra, abrazaderas de la hoja, anillos en O, sellos, protectores, hojas de desatornilladores, pistones, herrijes, levantedores y arandelas de cubierta de los protectores.

*Esta garantía no cubre clavadoras y grapadoras neumáticas, pistola de pintura a presión, baterías inalámbricas, generadores de energía portátiles de gasolina, herramientas de mano, palanca y cadena de mano de polipasto - eléctricas, indumentaria calefaccionada M12™, producto reacondicionado y productos de prueba y medición. Existen garantías por separado y distintas disponibles para estos productos.

**El periodo de garantía para los radios para obra, puerto de energía M12™, fuente de poder M18™, ventiladores para obra y carretillas de trabajo industrial Trade Titan™ es de un (1) año a partir de la fecha de compra. El periodo de garantía para los cables de limpieza de drenaje y AIRSNAKE™ los accesorios de pistola de aire de limpieza de drenaje es de dos (2) años a partir de la fecha de compra. El periodo de garantía de la pistola de calor compacta M18™, Extractor de polvo de 8 galones, M18™ enmarcar clavadoras, M18 FUEL™ 1/2" yunque prolongado torque controlado llave de impacto con ONE-KEY™, y M18 FUEL™ 1" llave de impacto de alto esfuerzo de torsión con ONE-KEY™ es de tres (3) años a partir de la fecha de compra. El periodo de garantía de las lámparas de LED en la Lámpara de trabajo LED y el Bulbo mejorado de LED para la Luz de trabajo es por la vida del producto sujeto a las limitaciones anteriores. Si durante el uso normal el LED o Bulbo de LED falla, la parte será reemplazada sin cargo.

No se requiere el registro de la garantía para obtener la garantía correspondiente a un producto de herramienta eléctrica de MILWAUKEE. La fecha de manufactura del producto se utilizará para determinar el periodo de garantía si no se proporciona comprobante de compra al solicitar el servicio en garantía.

LA ACEPTACIÓN DE LOS REMEDIOS EXCLUSIVOS DE REPARACIÓN Y REEMPLAZO AQUÍ DESCRITOS ES UNA CONDICIÓN DEL CONTRATO PARA LA COMPRA DE TODO PRODUCTO DE MILWAUKEE. SI USTED NO ACEPTA ESTA CONDICIÓN, NO DEBE COMPRAR EL PRODUCTO. MILWAUKEE NO SERÁ RESPONSABLE EN NINGÚN CASO DE DAÑOS INCIDENTALES, ESPECIALES, EMERGENTES O PUNITIVOS NI DE NINGÚN COSTO, HONORARIOS LEGALES, GASTOS, PÉRDIDAS O DEMORAS ALLEGADOS COMO CONSECUENCIA DE ALGUN DAÑO, FALTA O DE-

FACTO EN NINGÚN PRODUCTO, INCLUYENDO, ENTRE OTROS, RECLAMACIONES POR PÉRDIDA DE UTILIDADES. ALGUNOS ESTADOS NO PERMITEN LA EXCLUSIÓN O LIMITACIÓN DE RESPONSABILIDAD POR DAÑOS INCIDENTALES O EMERGENTES, POR LO QUE LA ANTERIOR LIMITACIÓN O EXCLUSIÓN PODRÍA NO APLICARSE EN SU CASO. ESTA GARANTÍA ES EXCLUSIVA Y REEMPLAZA TODAS LAS DEMÁS GARANTÍAS EXPRESAS, ESCRITAS U ORALES, EN LA MEDIDA EN QUE LO PERMITA LA LEY, MILWAUKEE DESCONOCE CUALQUIER GARANTÍA IMPLÍCITA, INCLUYENDO SIN LIMITACIÓN CUALQUIER GARANTÍA IMPLÍCITA DE COMERCIABILIDAD O IDONEIDAD PARA UN FIN O USO ESPECÍFICO; EN LA MEDIDA EN QUE DICHO DESCONOCIMIENTO NO SEA PERMITIDO POR LA LEY, DICHAS GARANTÍAS IMPLÍCITAS SE LIMITAN A LA DURACIÓN DE LA GARANTÍA EXPRESA CORRESPONDIENTE SEGÚN SE DESCRIBIÓ ANTERIORMENTE. ALGUNOS ESTADOS NO PERMITEN LIMITACIONES SOBRE LA DURACIÓN DE UNA GARANTÍA IMPLÍCITA, POR LO QUE LA ANTERIOR LIMITACIÓN PODRÍA NO APLICARSE A USTED. ESTA GARANTÍA LE DA DERECHOS LEGALES ESPECÍFICOS Y USTED PODRÍA ADEMÁS TENER OTROS DERECHOS QUE VARIAN DE UN ESTADO A OTRO.

Esta garantía aplica al producto vendido en los Estados Unidos y Canadá únicamente.

Consulte la "Búsqueda de centro de servicio" en la sección de Partes y servicio del sitio web de MILWAUKEE en www.milwaukeeool.com o llame al 1 800 SAWDUST (1 800 729 3878) para localizar su centro de servicio más cercano para darle servicio con y sin garantía a una herramienta eléctrica de Milwaukee servicio con y sin garantía a una herramienta eléctrica de Milwaukee.

PÓLIZA DE GARANTÍA - VALIDA SOLO PARA MEXICO, AMÉRICA CENTRAL Y EL CARIBE

La garantía de TECHTRONIC INDUSTRIES es por 5 años a partir de la fecha original de compra.

Esta tarjeta de garantía cubre cualquier defecto de material y mano de obra en ese Producto.

Para hacer válida esta garantía, presente esta tarjeta de garantía, cerrada/sellada por el distribuidor o la tienda donde compró el producto, al Centro de Servicio Autorizado (ASC). O, si esta tarjeta no se ha cerrado/sellado, presente la prueba original de compra a ASC. Llame 55 4160-3547 para encontrar el ASC más cercano, para servicio, partes, accesorios o componentes.

Procedimiento para hacer válida esta garantía

Lleve el producto a ASC, junto con la tarjeta de garantía cerrada/sellada por el distribuidor o la tienda donde compró el producto, y cualquier pieza o componente defectuoso se reemplazará sin costo para usted. Cubriremos todos los costos de flete con relación a este proceso de garantía.

Excepciones

Esta garantía no tendrá validez en las siguientes situaciones:

- Cuando el producto se use de manera distinta a la que indica el manual del usuario final o de instrucciones.
- Cuando las condiciones de uso no sean normales.
- Cuando otras personas no autorizadas por TECHTRONIC INDUSTRIES modifiquen o reparen el producto.

Nota: si el juego de cables está dañado, tiene que reemplazarse en un Centro de Servicio Autorizado para evitar riesgos eléctricos.

CENTRO DE SERVICIO Y ATENCIÓN

Llame al 55 4160-3547

IMPORTADO Y COMERCIALIZADO POR
TECHTRONIC INDUSTRIES, MEXICO, S.A. DE C.V.
Miguel de Cervantes Saavedra No.301 Piso 5, Torre Norte
11520 Colonia Ampliación Granada
Miguel Hidalgo, Ciudad de Mexico, Mexico

Modelo: _____

Fecha de Compra: _____

Sello del Distribuidor: _____

MILWAUKEE TOOL
13135 West Lisbon Road
Brookfield, WI 53005 USA