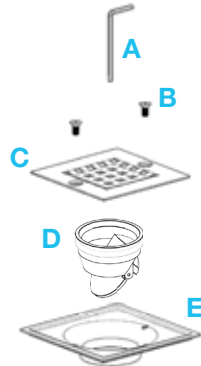


BAY SQUARE DRAIN

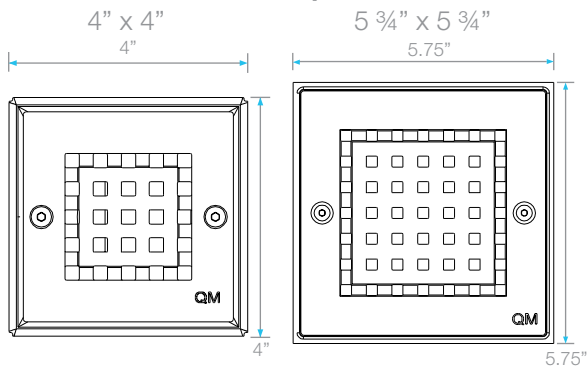
Kit Includes:

- A** Lifting Key
- B** Bolts
- C** Grate
- D** Anti Odor Sealer
- E** Base

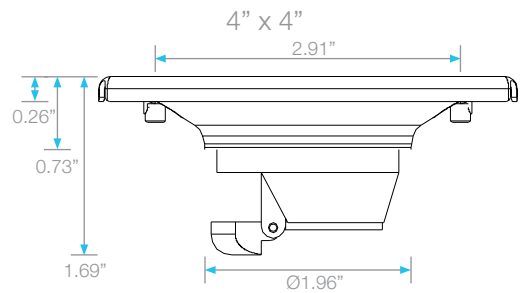


Specifications

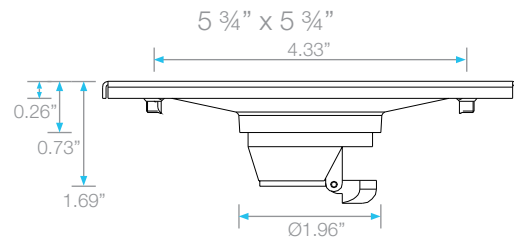
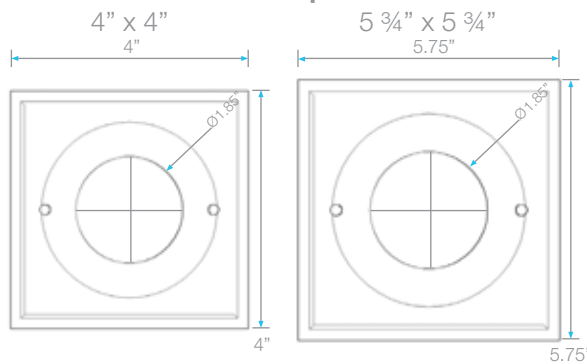
C Grate - Top View



E Base - Side View



E Base - Top View



D Anti Odor Sealer - Perspective View



Complete Kit

Ria Square



Length

4" x 4"

5 3/4" x 5 3/4"

Satin
SKU

38.100.01

38.100.02

Polished
SKU

38.100.03

38.100.04

Note: Installer must verify all rough-in dimensions prior to installation and consult local and national codes. Conformity and compliance to local and national codes are the responsibility of the installer. Dimensions are subject to Manufacturers tolerance and change without notice. We can assume no responsibility for use of superseded or void data.