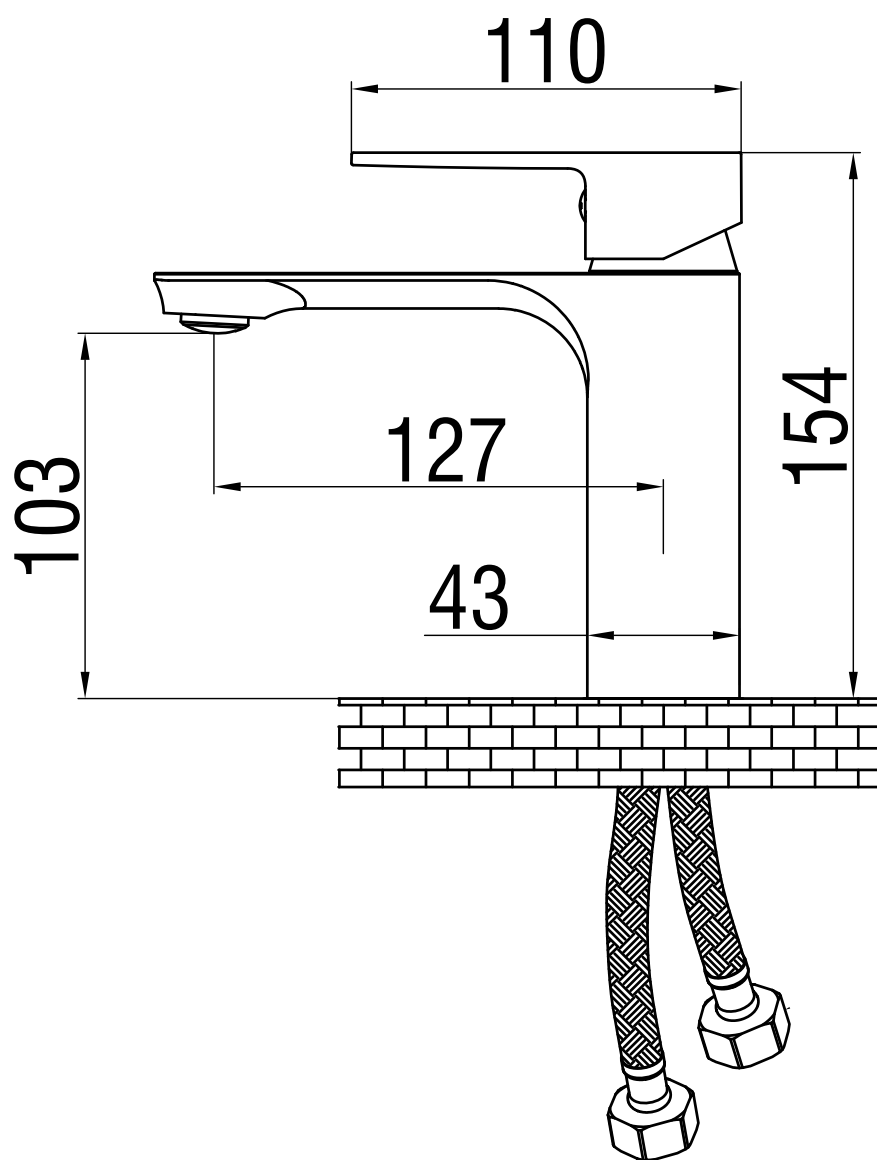


component

NO.	Name	Qty	Material
1	Main body	1	brass
2	o ring	1	NBR
3	Threaded pipe	1	stainless steel
4	NBR Gasket	1	NBR
5	SS Gasket	1	stainless steel
6	Fastener	1	brass+plastic
7	Flexible hose	2	stainless steel



AF13001-T