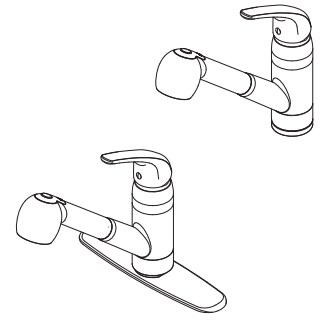


## Pfirst Series™ Pull-Out Kitchen Faucet

- |  |   |
|--|---|
| 133-10CC Finish(CC) <input type="checkbox"/> | G133-10CC Finish(CC) <input type="checkbox"/> |
| 133-10SS Finish(SS) <input type="checkbox"/> | G133-10SS Finish(SS) <input type="checkbox"/> |
| 133-10WW Finish(WW) <input type="checkbox"/> | G133-10WW Finish(WW) <input type="checkbox"/> |
|  | G133-10YY Finish(YY) <input type="checkbox"/> |



- Single Control
- 1 or 3-Hole Installation
- Pforever Seal

## Specifications

### Features

- 1.8 GPM Flow Rate (G133 Only)
- 2.2 GPM Flow Rate (133 Only)
- 1 or 3-Hole Installation; Deck Plate or Single Hole Mounting Option
- Two Function Pull-Out Spray
- Pforever Seal Ceramic Disc Valve
- Pforever Warranty®

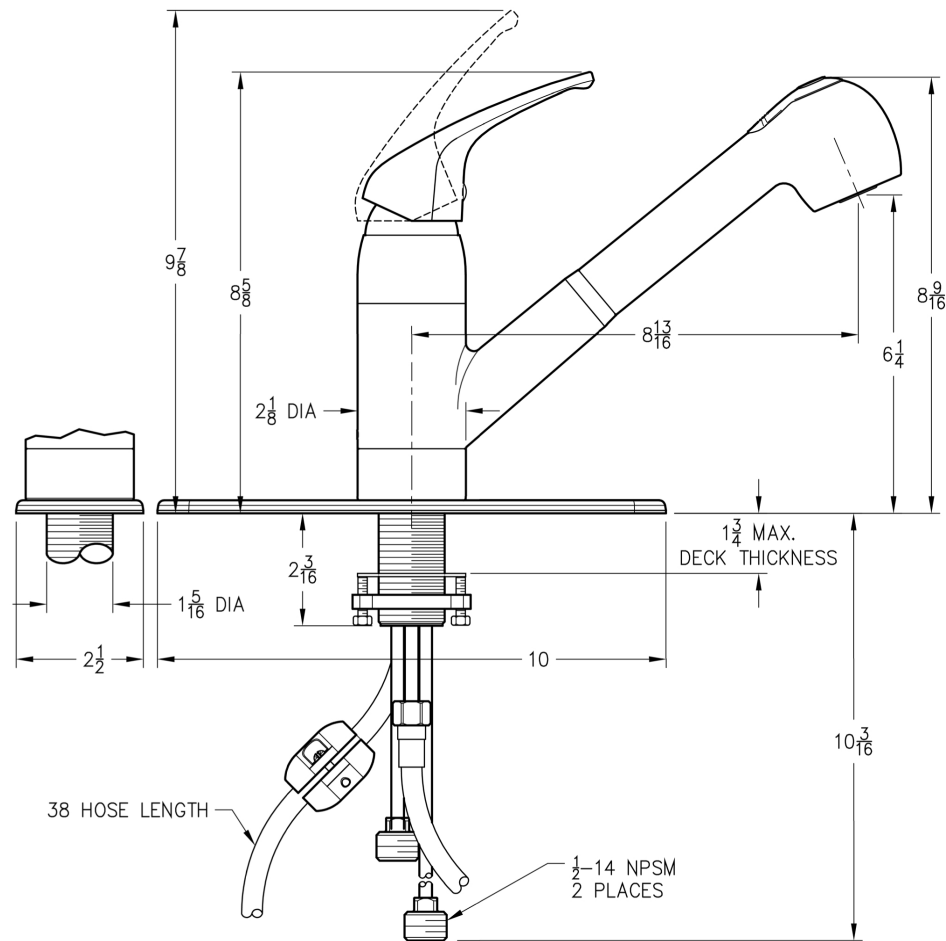
### Code Compliance

Pfister products are designed and manufactured in compliance with the following standards and codes:

- IAPMO Certified
- CSA B125 Certified
- ASME A112.18.1
- NSF 61/9 Annex G (Low lead) (G133 Only)
- Cal Green Compliant (G133)
- ADA Compliant-ANSI A117.1 (Lever handles only)



## Dimensions



Ø1-3/8 Min to Ø1-1/2 Max. Deck Hole Openings