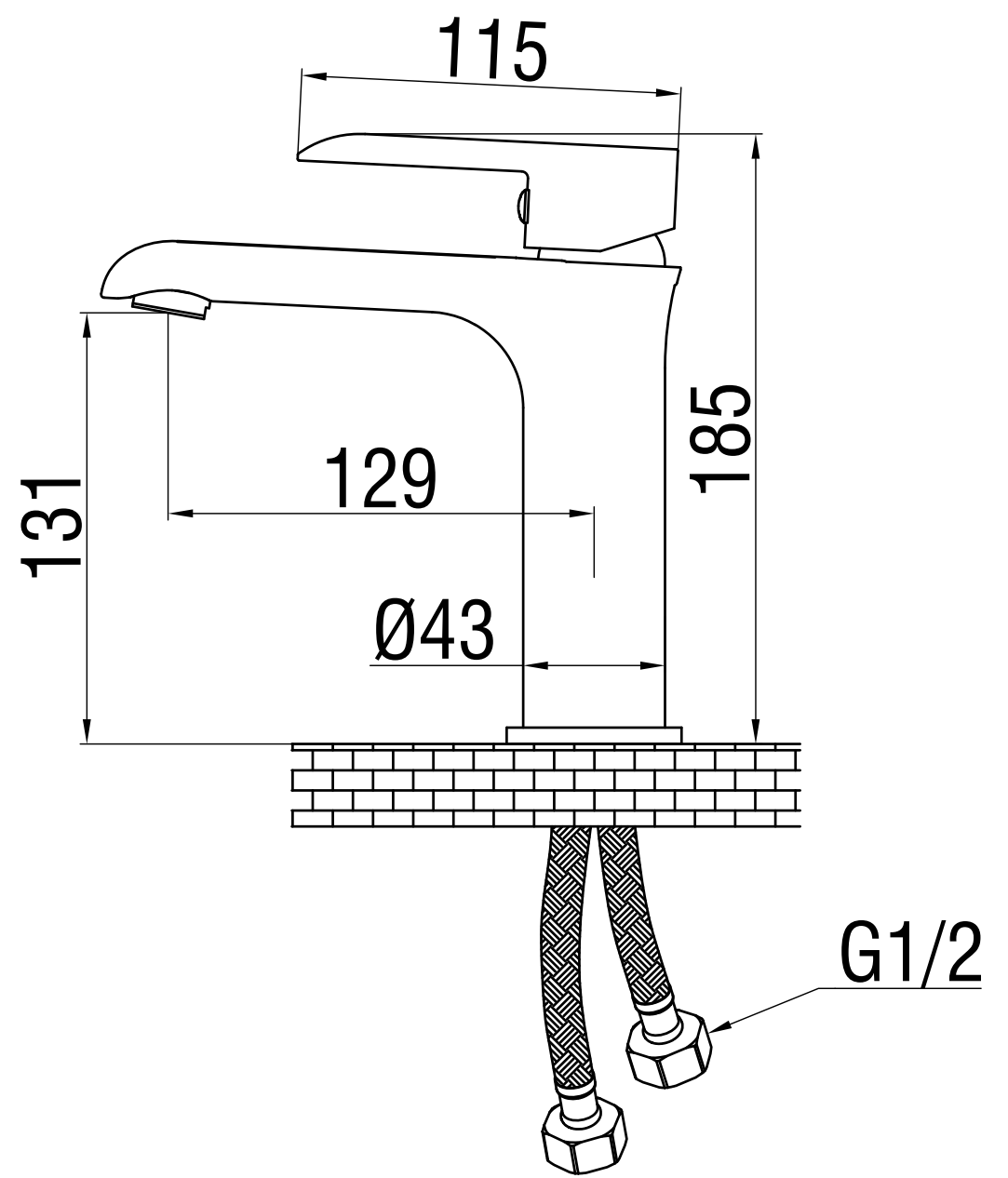


component			
NO.	Name	Qty	Material
1	Main body	1	brass
2	Decorative cover	1	brass
3	o ring	1	NBR
4	Threaded pipe	1	stainless steel
5	NBR Gasket	1	NBR
6	SS Gasket	1	stainless steel
7	Fastener	1	brass+plastic
8	Flexible hose	2	stainless steel



AF32001-T