



NINJA WOODFIRE™ OUTDOOR GRILL OG700 Series | Owner's Guide



IMPORTANT SAFETY INSTRUCTIONS

OUTDOOR HOUSEHOLD USE ONLY. READ ALL INSTRUCTIONS BEFORE USE



Read and review instructions to understand operation and use of product.



Indicates the presence of a hazard that can cause personal injury, death or substantial property damage if the warning included with this symbol is ignored.



Avoid contact with hot surface. Always use hand protection to avoid burns.



For outdoor use only.

⚠ WARNING

Failure to follow these instructions could result in electric shock, fire or burn hazard which could cause property damage, personal injury, or death. When using electrical appliances, basic safety precautions should always be followed, including the following:

- 1 To eliminate a choking hazard for young children, discard all packaging materials immediately upon unpacking.
- 2 This appliance is for outdoor household use only. **DO NOT** use this appliance for anything other than its intended use. **DO NOT** use in moving vehicles or boats. Misuse may cause injury.
- 3 This appliance can be used by persons with reduced physical, sensory, or mental capabilities or lack of experience and knowledge if they have been given supervision or instruction concerning use of the appliance in a safe way and understand the hazards involved.
- 4 To avoid property damage from flame or heat maintain a minimum distance of 3 feet from rear, sides and top to walls, rails, or other combustible constructions.
- 5 To avoid property damage and burn injury from flame or heat, **ALWAYS** maintain a minimum safe distance of at least 1 foot (30 cm) from the pellet box during smoking. Small flames can come out from the pellet box if the grill lid is lifted in windy conditions.
- 6 To avoid burn injury, **ALWAYS** use pellet scoop when adding pellets to smoker box. **DO NOT** add pellets by hand.
- 7 To avoid burn injury and property damage, make sure the lid of the smoke box is fully closed to prevent flames from escaping out of the smoke box.
- 8 Pellets may continue to burn after cook time is complete. Do not touch or remove the smoke box until the grill has stopped smoking, pellets have completely burnt out, and the smoke box has cooled.
- 9 To avoid personal injury and burns allow to cool before cleaning, disassembly, putting in or taking off parts and storage.
- 10 **DO NOT** allow pellets to overflow the pellet box. Doing so will introduce oxygen leading to combustion, flame, and damage to the unit which may result in burn injury.
- 11 **DO NOT** touch hot surfaces. Appliance surfaces are hot during and after operation. To prevent burns or personal injury, **ALWAYS** use protective hot pads or insulated oven mitts and use available handles and knobs.
- 12 **DO NOT** touch accessories during or immediately after cooking. The basket will become extremely hot during the cooking process. Avoid physical contact while removing the accessory from the appliance. To prevent burns or personal injury **ALWAYS** use care when interfacing with product. Recommend use of long handed utensil and protective hot pads or insulated oven mitts.
- 13 Ensure the surface is level, stable, clean and dry. **DO NOT** place the appliance near the edge of the surface the grill is placed on during operation.
- 14 Keep the appliance and its cord out of reach of children. **DO NOT** allow the appliance to be used near, cleaned, or maintained by children. Close supervision is necessary when used near children.
- 15 **CONNECT ONLY TO GFCI GROUNDED ELECTRICAL OUTLET IF USING AN EXTENSION CORD**

IMPORTANT SAFETY INSTRUCTIONS

PLEASE READ CAREFULLY BEFORE USE • FOR HOUSEHOLD USE ONLY

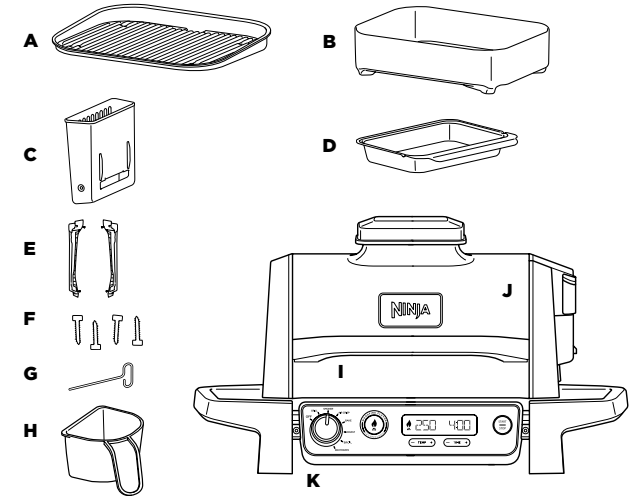
⚠ WARNING

To reduce the risk of injury, fire, electrical shock or property damage, basic safety precautions must always be followed, including the following numbered warnings and subsequent instructions. Do not use appliance for other than intended use.

- 16 A short power-supply cord is provided to reduce the risk of children less than 8 years grabbing the cord or becoming entangled and to reduce the risk of people tripping over a longer cord. When using an extension cord it must be specific for use outdoors and must have a "W" marking and tag stating: **SUITABLE FOR USE WITH OUTDOOR APPLIANCES.**
- 17 **ALWAYS** ensure the grill is completely cool before releasing and removing the cooking plates or moving the to avoid burns or personal injury.
- 18 **DO NOT** use the appliance without the grill plate installed.
- 19 To protect against electrical shock, keep the cord connection dry and **DO NOT** immerse cord, plugs, or main unit housing in water or other liquid.
- 20 Regularly inspect the appliance and power cord. **DO NOT** use the appliance if there is damage to the power cord or plug. If the appliance malfunctions or has been damaged in any way, immediately stop use and call Customer Service.
- 21 **NEVER** use outlet below countertop surface.
- 22 **ALWAYS** ensure the appliance is properly assembled before use. **DO NOT** use without side handles attached.
- 23 **NEVER** connect this appliance to an external timer switch or separate remote-control system.
- 24 **DO NOT** place appliance and let cord hang over edges of tables, counters or touch hot surfaces.
- 25 Only use recommended accessories included with this appliance or authorized by SharkNinja. The use of accessories or attachments not recommended by SharkNinja may cause a risk of fire or injury.
- 26 Before placing any accessory into the cooker, ensure they are clean and dry.
- 27 **DO NOT** move the appliance when in use.
- 28 **DO NOT** cover the air intake vent or air outlet vent while unit is operating. Doing so will prevent even cooking and may damage the unit or cause it to overheat.
- 29 **DO NOT** place anything on top of the product when the hood is closed during use and stored.
- 30 Ensure the grill plate is correctly inserted and securely locked into position.
- 31 **DO NOT** use this appliance for deep-frying.
- 32 Some foods may cause oils or grease to splash. Use care when opening the grill to avoid burns.
- 33 Should a grease fire occur, or the unit emits black smoke, unplug immediately. Wait for smoking to stop before removing any cooking accessories.
- 34 Socket voltages can vary, affecting the performance of your product. To prevent possible illness, **ALWAYS** use an external food thermometer to check that your food is cooked to the recommended temperatures.
- 35 Use **ONLY** genuine food grade wood pellets from Ninja in your unit.
- 36 **NEVER** use heating fuel pellets, hardwood, charcoal, liquid fuels, or any other combustible material in the Smoker.
- 37 Keep hands and face away from Smoker Box when unit is in use and hot.
- 38 **ALWAYS** keep a fire extinguisher accessible while operating the smoker.
- 39 **ALWAYS** store wood pellets in a dry location, away from heat-producing appliances and other fuel containers.
- 40 Keep your grill clean and do not allow excess grease or ash to collect inside or on the smoke box and cartridge. Doing so significantly increases the chances of a grease fire and additional smoke which can taint the flavor of your food.
- 41 Please refer to the Cleaning & Maintenance section for regular maintenance of the appliance.
- 42 To disconnect, press the power button to turn the unit off, then unplug from socket when not in use and before cleaning.
- 43 **DO NOT** clean with metal scouring pads. Pieces can break off the pad and touch electrical parts, creating a risk of electric shock.
- 44 Store indoors when not in use for extended period. **DO NOT** keep uncovered grill exposed to elements. **ALWAYS** use grill cover when stored outdoors.

PARTS & ACCESSORIES

- A Grill Grate
- B Crisper Basket
- C Smoke Box
- D Grease Tray
- E Left and Right Assembly Handles
- F Socket Head Cap Screw 3.5mm x 16mm (4x) (pre-assembled on handles)
- G Allen Wrench
- H Pellet Scoop
- I Assembled Main Unit (power cord not shown)
- J Hood
- K Control Panel



BEFORE FIRST USE

- 1 Remove all packaging material, and tape from the unit.
- 2 Remove all accessories from the package and read this manual carefully. Please pay particular attention to operational instructions, warnings, and important safeguards to avoid any injury or property damage.
- 3 Wash the grill grate and crisper basket in warm, soapy water, then rinse and dry thoroughly. The grill grate, crisper basket and base unit are **NOT** dishwasher safe. **NEVER** clean the main unit in the dishwasher.
- 4 **DO NOT** use abrasive brushes or sponges on the cooking surfaces, as it will cause damage to the coating.

We recommend placing all accessories inside the grill and running it on GRILL, temp set to HI for 20 minutes without adding food. This removes any residues. This is completely safe and not detrimental to the performance of the grill.

HANDLE INSTALLATION

- 1 Ensure the correct handle is being used on the left and right side. Refer to image to match handles to correct side. Note each handle has a sticker indicating L and R on the underside. Allen key wrench is taped onto the left handle. (See Fig. A)
- 2 To assemble handles place unit at edge of table. OR with lid still taped down, carefully place grill upside down by holding the sides of the unit and the hood down and place grill on top of top polyfoam for protection.
- 3 Align each handle with tabs on base. Then, push up to set each handle in place. Use included Allen wrench by holding the grip to tighten pre-assembled screws (2x) on each handle. (See Fig. C)

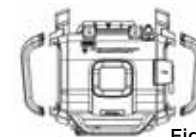


Fig. A

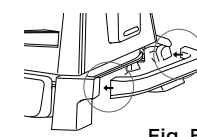


Fig. B

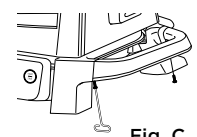
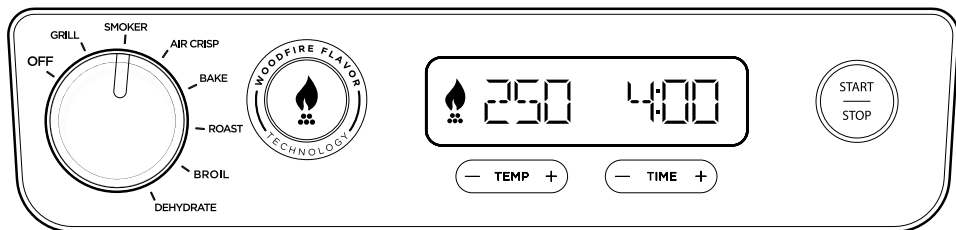


Fig. C

EXTENSION CORD

- 1 Connect to properly 3-prong grounded GFI outlets only.
- 2 Use only outdoor extension cord marked with letter "SJOW", 12 AWG, and stating, "Suitable for use with outdoor appliances." Using the incorrect cord could lead to the cord overheating, melting and/or a drop in voltage. A drop in voltage can increase preheat times and impact cooking performance and/or cook times.

GETTING TO KNOW THE NINJA WOODFIRE™ OUTDOOR GRILL



NOTE: Not all functions included with every model.

FUNCTION BUTTONS

GRILL: Closed-hood cooking for top and bottom heat. Best when grilling large or thick cuts of meat or frozen food or for an all-around sear. Open the hood while grilling delicate foods or lean proteins to develop char-grilled textures without overcooking.

SMOKER: Create deep, smoky flavors while cooking low and slow to tenderize large cuts of meat.

AIR CRISP: Achieve crispiness and crunch with little to no oil and higher fan speeds.

BAKE: Bake cakes, treats, desserts, and more with lower fan speeds.

ROAST: Tenderize meats, roast vegetables, and more.

BROIL: Add a crispy finishing touch to meals or melt cheese on sandwiches.

DEHYDRATE: Dehydrate meats, fruits, and vegetables for healthy snacks.

OPERATING BUTTONS

DIAL: To power on the unit and select a cooking function, rotate the dial clockwise until the dial is pointed to your desired function. To power off the unit, rotate the dial counterclockwise to the **OFF** position.

NOTE: When the unit is powered on, the display will be illuminated.

WOODFIRE FLAVOR TECHNOLOGY: Press after selecting your cooking function to add Woodfire flavor using the Grill, Air Crisp, Bake, Roast, or Dehydrate functions. When pressed, flame icon will illuminate on the display screen.

TEMP: The default temperature setting will display, to adjust temperature if desired, use the – and + buttons next to TEMP.

TIME: To adjust cook time, use the – and + buttons next to TIME.

START/STOP: Press to start or stop the current cook function, or press and hold for 3 seconds to skip preheat.

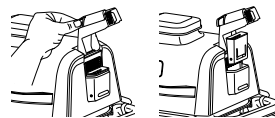
PREHEAT FOR BETTER RESULTS

For best grilling results, let the grill fully preheat before adding food. Adding food before preheating is complete may lead to overcooking, smoke, and longer preheat time.

After you set function, time, and temperature then press **START**, the unit will automatically begin preheating (except if using the Smoker function or the Broil/Dehydrate functions without enabling Woodfire Flavor Technology).

SMOKE BOX

Comes fully installed in the unit. Located on the right side of the hood. Always ensure the removable smoke box is inserted into place before adding pellets. Review all warnings before proceeding.



Installing the smoke box:

To install, hold the smoke box lid open with one hand and insert the removable smoke box so it sits into place.



Adding Ninja Woodfire Pellets:

Fill the pellet scoop to the top and level off to avoid spilling. While holding the smoke box lid open, using the pellet scoop, pour pellets into the smoke box until filled to the top. Then, close the smoke box lid.

Use only Ninja Woodfire Pellets for best results, performance and flavor.



Removing the smoke box and cleaning:

To avoid burns allow pellets to completely burn, and smoke box to cool completely, then remove smoke box and safely discard all contents.

COOKING FUNCTIONS

IMPORTANT: Review all warnings at the beginning of this Owner's Guide before proceeding.

Grill

- Place grill on a flat, level surface.
- Open the hood and install the grill grate by positioning it flat on top of the heating element so it sits into place.
- Install the grease tray by sliding it into place at the back of the grill.
- If you plan to use the Woodfire Flavor Technology, lift the smoke box lid and using the pellet scoop, fill the smoke box with Ninja Woodfire Pellets to the top, then close the lid. **DO NOT** overflow the smoke box.
- Make sure the grill is plugged in and rotate the dial clockwise from the **OFF** position to select the **GRILL** function.
- If adding Woodfire Flavor, press the **WOODFIRE FLAVOR** technology button.
- The default temperature setting will display, to adjust temperature if desired, use the – and + buttons next to **TEMP**.
- To adjust cook time, use the – and + buttons next to **TIME**.

- Press **START** to begin preheating. If using Woodfire Flavor technology, the pellets will go through an ignition cycle (IGN), then the grill will begin preheating (PRE).

NOTE: While preheating is strongly recommended for best results, you can skip it by pressing and holding the **START/STOP** button for 4 seconds. **"ADD FOOD"** will flash across the screen. Open the hood and place ingredients on the grill grate. Once the hood is closed cooking will begin and the timer will start counting down. Skip to step 12 for further instructions.

- When preheating is complete, the unit will beep and **ADD FOOD** will appear on the display.
- Open the hood and place ingredients on the grill grate. Once the hood is closed, cooking will begin and the timer will begin counting down.
- When cook time reaches zero, the grill will beep and **END** will appear on the display.
- Remove food from the grill grate.

COOKING FUNCTIONS - CONT'D

IMPORTANT: Review all warnings at the beginning of this Owner's Guide before proceeding.



Smoker

- 1 Place grill on a flat, level surface.
- 2 Open the hood and install the grill grate by positioning it flat on top of the heating element so it sits into place.
- 3 Install the grease tray by sliding it into place at the back of the grill.
- 4 Lift the smoke box lid and using the pellet scoop, fill the smoke box with Ninja Woodfire Pellets to the top, then close the lid. **DO NOT** overflow smoke box.
- 5 Open the hood and place ingredients on the grill grate. Close the hood.
- 6 Make sure the grill is plugged in and rotate the dial clockwise from the **OFF** position to select the **SMOKER** function.
- 7 The default temperature setting will display. To adjust temperature if desired, use the – and + buttons next to **TEMP**.
- 8 To adjust cook time, use the – and + buttons next to **TIME**.
- 9 Press **START** to begin cooking. There is no preheat time for the Smoker function.
- 10 When cook time reaches zero, the grill will beep and **END** will appear on the display.
- 11 Remove food from the grill grate.

Air Crisp

- 1 Place grill on a flat, level surface.
- 2 Open the hood and install the grill grate by positioning it flat on top of the heating element so it sits into place.
- 3 Place the crisper basket on the grill grate and position the basket feet into the designated indentations on the grill grate surface.
- 4 Install the grease tray by sliding it into place at the back of the grill.
- 5 If you plan to use the Woodfire Flavor Technology, lift the smoke box lid and using the pellet scoop, fill the smoke box with Ninja Woodfire Pellets to the top, then close the lid. **DO NOT** overflow the smoke box.
- 6 Make sure the grill is plugged in and rotate the dial clockwise from the **OFF** position to select the **AIR CRISP** function.
- 7 If adding woodfire flavor, press the **WOODFIRE FLAVOR** technology button.
- 8 The default temperature setting will display. To adjust temperature if desired, use the – and + buttons next to **TEMP**.
- 9 To adjust cook time, use the – and + buttons next to **TIME**.
- 10 Press **START** to begin preheating. If using Woodfire Flavor technology, the pellets will go through an ignition cycle (IGN), then the grill will begin preheating (PRE).

NOTE: While preheating is strongly recommended for best results, you can skip it by pressing and holding the **START/STOP** button for 4 seconds. **"ADD FOOD"** will flash across the screen. Open the hood and place ingredients in the crisper basket. Once the hood is closed cooking will begin and the timer will start counting down. Skip to step 13 for further instructions.

- 11 When preheating is complete, the grill will beep and **ADD FOOD** will appear on the display.
- 12 Open the hood and place ingredients on the grill grate. Once the hood is closed, cooking will begin and the timer will begin counting down.
- 13 When cook time reaches zero, the grill will

IMPORTANT: Review all warnings at the beginning of this Owner's Guide before proceeding.

Bake (not included on all models)

- 1 Place grill on a flat, level surface.
- 2 Open the hood and install the grill grate by positioning it flat on top of the heating element so it sits into place.
- 3 Install the grease tray by sliding it into place at the back of the grill.
- 4 If you plan to use the Woodfire Flavor Technology, lift the smoke box lid and using the pellet scoop, fill the smoke box with Ninja Woodfire Pellets to the top, then close the lid. **DO NOT** overflow the smoke box.
- 5 Make sure the grill is plugged in and rotate the dial clockwise from the **OFF** position to select the **BAKE** function.
- 6 If adding woodfire flavor, press the **WOODFIRE FLAVOR** technology button.
- 7 The default temperature setting will display. To adjust temperature if desired, use the – and + buttons next to **TEMP**.
- 8 To adjust cook time, use the – and + buttons next to **TIME**.
- 9 Press **START** to begin preheating. If using Woodfire Flavor technology, the pellets will go through an ignition cycle (IGN), then the grill will begin preheating (PRE).

NOTE: While preheating is strongly recommended for best results, you can skip it by pressing and holding the **START/STOP** button for 4 seconds. **"ADD FOOD"** will flash across the screen. Open the hood and place ingredients in the crisper basket. Once the hood is closed cooking will begin and the timer will start counting down. Skip to step 13 for further instructions.

- 10 When preheating is complete, the unit will beep and **ADD FOOD** will appear on the display.
- 11 Open the hood and place ingredients on the grate or place bake pan on the grate. Once the hood is closed, cooking will begin and the timer will start counting down.
- 12 When cook time reaches zero, the grill will beep and **END** will appear on the display.
- 13 Remove food from the grill grate.

NOTE: When using the Bake function, make sure to use the proper accessory. For wet or battered ingredients, use a baking dish. For loose items such as cinnamon rolls, hand pies, or biscuits, use the crisper basket.

Roast (not included on all models)

- 1 Place grill on a flat, level surface.
- 2 Open the hood and install the grill grate by positioning it flat on top of the heating element so it sits into place.
- 3 Install the grease tray by sliding it into place at the back of the grill.
- 4 If you plan to use the Woodfire Flavor Technology, lift the smoke box lid and using the pellet scoop, fill the smoke box with Ninja Woodfire Pellets to the top, then close the lid. **DO NOT** overflow the smoke box.
- 5 Make sure the grill is plugged in and rotate the dial clockwise from the **OFF** position to select the **ROAST** function.
- 6 If adding woodfire flavor, press the **WOODFIRE FLAVOR** technology button.
- 7 The default temperature setting will display. To adjust temperature if desired, use the – and + buttons next to **TEMP**.
- 8 To adjust cook time, use the – and + buttons next to **TIME**.
- 9 Press **START** to begin preheating. If using Woodfire Flavor technology, the pellets will go through an ignition cycle (IGN), then the grill will begin preheating (PRE).

NOTE: While preheating is strongly recommended for best results, you can skip it by pressing and holding the **START/STOP** button for 4 seconds. **"ADD FOOD"** will flash across the screen. Open the hood and place ingredients in the crisper basket. Once the hood is closed cooking will begin and the timer will start counting down. Skip to step 12 for further instructions.

- 10 When preheating is complete, the grill will beep and **ADD FOOD** will appear on the display.
- 11 Open the hood and place ingredients on the grill grate. Once the hood is closed, cooking will begin and the timer will begin counting down.
- 12 When cook time reaches zero, the grill will beep and **END** will appear on the display.
- 13 Remove food from grill grate.

COOKING FUNCTIONS – CONT'D

IMPORTANT: Review all warnings at the beginning of this Owner's Guide before proceeding.

Broil (not included on all models)

- 1 Place grill on a flat, level surface.
- 2 To install the grill grate, position it flat on top of the heating element and gently press down until it sits into place.
- 3 Install the grease tray by sliding it into place at the back of the unit.
- 4 Open the hood and place ingredients on the grill grate. Close the hood. There is no preheat.
- 5 Make sure the unit is plugged in and rotate the dial clockwise from the **OFF** position to select the **BROIL** function.
- 6 The default temperature setting will display. To adjust temperature if desired, use the - and + buttons next to **TEMP**.
- 7 To adjust cook time, use the – and + buttons next to **TIME**.
- 8 Press **START** to begin cooking.
- 9 When cook time reaches zero, the unit will beep and **END** will appear on the display.
- 10 Remove food from the grill grate.

Dehydrate

(not included on all models)

- 1 Place grill on a flat, level surface.
- 2 Open the hood and install the grill grate by positioning it flat on top of the heating element so it sits into place.
- 3 Install the grease tray by sliding it into place at the back of the grill.
- 4 Open the hood and place ingredients on the grill grate. Close the hood. There is no preheat.
- 5 Make sure the unit is plugged in and rotate the dial clockwise from the **OFF** position to select the **DEHYDRATE** function.
- 6 The default temperature setting will display. To adjust temperature if desired, use the – and + buttons next to **TEMP**.
- 7 To adjust cook time, use the – and + buttons next to **TIME**.
- 8 Press **START** to begin cooking.
- 9 When cook time reaches zero, the unit will beep and **END** will appear on the display.
- 10 Remove food from the grill grate.



WOODFIRE FLAVOR TECHNOLOGY

- To add Woodfire Flavor, after step 3, lift the smoke box lid and fill the smoke box with Ninja Woodfire Pellets to the top, then close the lid. **DO NOT** overflow smoke box.
- Skip step 4, follow steps 5–7 for programming. *Press the **WOODFIRE FLAVOR** button after you select **DEHYDRATE** in step 4.
- After step 7, press **START** to begin preheating. The pellets will go through an ignition cycle (IGN).
- When preheating is complete, the grill will beep and **ADD FOOD** will appear on the display.
- Open the hood and place ingredients on the grill grate. Once the hood is closed, cooking will begin and the timer will begin counting down.
- When cook time reaches zero, the grill will beep and **END** will appear on the display.
- Remove food from the grill grate.

CLEANING YOUR NINJA WOODFIRE™ OUTDOOR GRILL

The grill should be cleaned thoroughly after each use. **ALWAYS** let the appliance and accessories cool before cleaning.

- Unplug the grill from power source before cleaning. Keep the hood open after removing your food to allow the unit to cool quicker.
- Remove smoke box and safely discard all contents after every use.
- The pellet scoop is dishwasher safe. The grill grate, crisper basket grease tray and smoke box are not dishwasher safe.
- Carefully remove cooled grease tray from back of unit and safely discard grease contents after each use. Hand-wash grease tray in warm, soapy water.

- Cleaning of the smoke box is not required. However if desired, a wire brush can be used to remove extra creosote.

NOTE: DO NOT use liquid cleaning solution on the smoke box.

- The inner hood should be wiped down with a damp towel or cloth after each use to deodorize the unit and remove any grease.
- If food residue or grease is stuck on the grill grate or any other removable part, soak in warm, soapy water before cleaning.
- Remove non-stick grill grate and non-stick crisper basket (if used) after each use and hand-wash with warm, soapy water.
- Gently wipe down the inside of the hood with a damp cloth.

NOTE: NEVER use abrasive tools or cleaners. **NEVER** immerse the main unit in water or any other liquid. **DO NOT** place in dishwasher.

- When stacking the coated accessories to store, place a cloth or paper towel between each piece to protect the coated surfaces.

TROUBLESHOOTING GUIDE

⚠ WARNING: To reduce the risk of shock and unintended operation, turn power off and unplug unit before troubleshooting.

- **“Add Food” appears on the control panel display.**
The unit has completed preheating and it is now time to add your ingredients.
- **“Shut Lid” appears on the control panel display.**
The hood is open and needs to be closed for the selected function to start.
- **“Add Grill” appears on the control panel.**
The grill plate needs to be installed. Once installed, closed the hood and press the Start button to begin.
- **“E” appears on the control panel display.**
The unit is not functioning properly. Contact Customer Service at 1-855-427-5125. So we may better assist you, please register your product online at registryourninja.com and have the product on hand when you call.
- **Should I add my ingredients before or after preheating?**
For best results, let the unit preheat before adding ingredients.
- **Why did a circuit breaker trip while using the unit?**
The unit uses 1760 watts of power, so it must be plugged into an outlet on a 15-amp circuit breaker. Using an outlet on a 10-amp breaker will cause the breaker to trip. It is also important that the unit be the only appliance plugged into an outlet when in use. To avoid tripping a breaker, make sure the unit is the only appliance plugged into an outlet on a 15-amp breaker.
- **Do I need to completely fill the smoke box with pellets?**
Yes, always fill the smoke box to the top. We've perfected the amount of pellets needed for each smoke session, regardless of the function or food load, the unit will burn through them appropriately.
- **When do I press the Woodfire Flavor Technology Button?**
Press the Woodfire Flavor Technology button before pressing start when wanting to add smoke using the Grill, Air Crisp, Roast, Bake, or Dehydrate functions. You do not need to press the Woodfire Flavor Technology button when using the Smoker function.
- **Where should I keep my pellets stored?**
Always store pellets in a dry area. Any moisture in the pellets can compromise ignition and quality of smoke flavor.
- **Should I use any oils or non-stick sprays when smoking?**
No, we do not recommend using any oils or non-stick sprays when smoking because smoke will not adhere to the food as well.
- **How do I dispose of burnt pellets after a cook cycle?**
Pellets may continue to burn after cook time is complete. Do not touch or remove the smoke box until the grill has stopped smoking, pellets have completely burnt out, and the smoke box has cooled. Then, remove the smoke box and safely discard cooled ash contents.
- **Why is preheat taking so long?**
Preheat times vary by function and unit temperature.
GRILL: approx. 7-12 minutes.
AIR CRISP, BAKE, ROAST: 3 minutes
SMOKER, DEHYDRATE, BROIL: No preheat.

If adding Woodfire Flavor, ignition time will add an additional 5-7 minutes.

Using the unit in inclement weather with heavy rain could cause longer preheat times.

We recommend using only extension cords marked with letters “SJOW” and stating, “Suitable for use with outdoor appliances.” Longer cord length may also cause longer preheat times, we recommend using the shortest outdoor rated extension cord that fits your outdoor grill set up.

While preheating is strongly recommended for best results, you can skip it by pressing and holding the START/STOP button for 3 seconds. “ADD FOOD” will flash across the screen. Open the hood and place ingredients in unit. Once the hood is closed, cooking will begin and the timer will start counting down.

TROUBLESHOOTING GUIDE

- **Can I turn off Woodfire Flavor Technology?**
If you pressed Woodfire Flavor Technology and already started your cooking function by pressing START, you can press the Woodfire Flavor Technology button again to turn it off if the ignition cycle is less than 75% complete (indicated by the progress bar on the display screen). If pellets have fully ignited and the grill has transitioned to the preheat cycle (indicated on the display screen), you cannot turn Woodfire Flavor Technology off.
- **Can I add more pellets during a cook cycle?**
When using the SMOKER function, you can add more pellets once the first batch has fully burned. Press and hold the Woodfire Flavor Technology button for 3 seconds to ignite new full box of pellets.

Run back to back smoking sessions, we recommend re-filling the smoke box using the pellet scoop when half the pellets have burned. DO NOT re-fill more than 1 or 2 times. DO NOT re-ignite pellets.

REPLACEMENT PARTS

To order additional parts and accessories, visit ninjaaccessories.com or contact Customer Service at **1-855-427-5125**. We ask that you register your product online at registryourninja.com and have the product on hand when you call, so we may better assist you.

ONE (1) YEAR LIMITED WARRANTY

The One (1) Year Limited Warranty applies to purchases made from authorized retailers of **SharkNinja Operating LLC**. Warranty coverage applies to the original owner and to the original product only and is not transferable.

SharkNinja warrants that the unit shall be free from defects in material and workmanship for a period of one (1) year from the date of purchase when it is used under normal household conditions and maintained according to the requirements outlined in the Owner's Guide, subject to the following conditions and exclusions:

What is covered by this warranty?

1. The original unit and/or non-wearable parts deemed defective, in SharkNinja's sole discretion, will be repaired or replaced up to one (1) year from the original purchase date.
2. In the event a replacement unit is issued, the warranty coverage ends six (6) months following the receipt date of the replacement unit or the remainder of the existing warranty, whichever is later. SharkNinja reserves the right to replace the unit with one of equal or greater value.

What is not covered by this warranty?

1. Normal wear and tear of wearable parts (such as blending vessels, lids, cups, blades, blender bases, removable pots, racks, pans, etc.), which require regular maintenance and/or replacement to ensure the proper functioning of your unit, are not covered by this warranty. Replacement parts are available for purchase at **ninjaaccessories.com**.
2. Any unit that has been tampered with or used for commercial purposes.
3. Damage caused by misuse, abuse, negligent handling, failure to perform required maintenance (e.g., failure to keep the well of the motor base clear of food spills and other debris), or damage due to mishandling in transit.
4. Consequential and incidental damages.
5. Defects caused by repair persons not authorized by SharkNinja. These defects include damages caused in the process of shipping, altering, or repairing the SharkNinja product (or any of its parts) when the repair is performed by a repair person not authorized by SharkNinja.
6. Products purchased, used, or operated outside North America.

How to get service

If your appliance fails to operate properly while in use under normal household conditions within the warranty period, visit **ninjakitchen.com/support** for product care and maintenance self-help. Our Customer Service Specialists are also available at **1-855-427-5125** to assist with product support and warranty service options, including the possibility of upgrading to our VIP warranty service options for select product categories. So we may better assist you, please register your product online at **registeryourninja.com** and have the product on hand when you call.

SharkNinja will cover the cost for the customer to send in the unit to us for repair or replacement. A fee of \$20.95 (subject to change) will be charged when SharkNinja ships the repaired or replacement unit.

How to initiate a warranty claim

You must call **1-855-427-5125** to initiate a warranty claim. You will need the receipt as proof of purchase. We also ask that you register your product online at **registeryourninja.com** and have the product on hand when you call, so we may better assist you. A Customer Service Specialist will provide you with return and packing instruction information.

How state law applies

This warranty gives you specific legal rights, and you also may have other rights that vary from state to state. Some states do not permit the exclusion or limitation of incidental or consequential damages, so the above may not apply to you.

NOTES

NOTES

THANK YOU for purchasing the NINJA WOODFIRE™ Outdoor Grill



REGISTER YOUR PURCHASE



registeryourninja.com



Scan QR code using mobile device

TECHNICAL SPECIFICATIONS

Voltage: 120V~, 60Hz

Power: 1760 Watts

RECORD THIS INFORMATION

Model Number: _____

Serial Number: _____

Date of Purchase: _____

(Keep receipt)

Store of Purchase: _____

SharkNinja Operating LLC
US: Needham, MA 02494
1-855-427-5125
ninjakitchen.com

Illustrations may differ from actual product. We are constantly striving to improve our products, therefore the specifications contained herein are subject to change without notice.

NINJA is a registered trademark of SharkNinja Operating LLC.

NINJA WOODFIRE is a trademark of SharkNinja Operating LLC.

This product may be covered by one or more U.S. patents. See sharkninja.com/patents for more information.

© 2022 SharkNinja Operating LLC

OG700Series_IB_MP_Mv10



@ninjakitchen