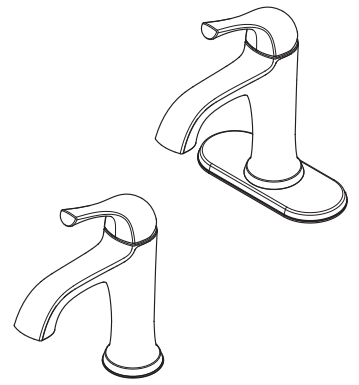


- LF-042-LRCC Finish(CC)
- LF-042-LRGS Finish(GS)
- LF-042-LRYY Finish(YY)



- 1 or 3-Hole Installation
- Pforever Seal
- Push & Seal™ Pop-Up

## Specifications

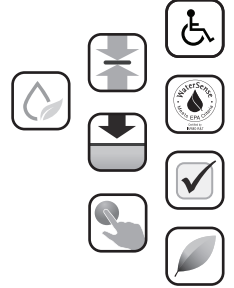
### Features

- 1.2 GPM Flow Rate
- Spot Defense Finish Resists Spots and Fingerprints (GS Finish Only)
- Mounting Hardware Included
- 1 or 3-Hole Installation; Deck Plate or Single Hole Mounting Option
- Push & Seal™ Pop-Up
- Pfast Connect Supply Lines
- TiteSeal™ Deckplate
- Pforever Seal Ceramic Disc Valve
- Pforever Warranty®

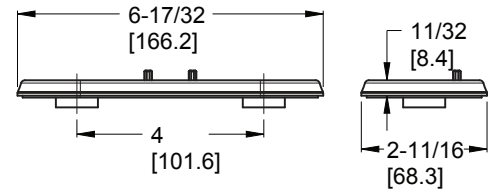
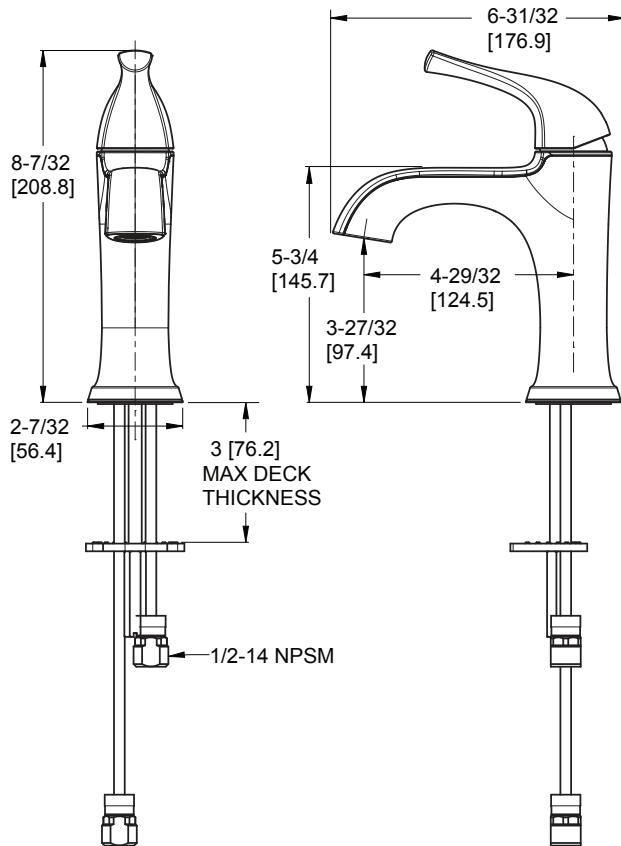
### Code Compliance

Pfister products are designed and manufactured in compliance with the following standards and codes:

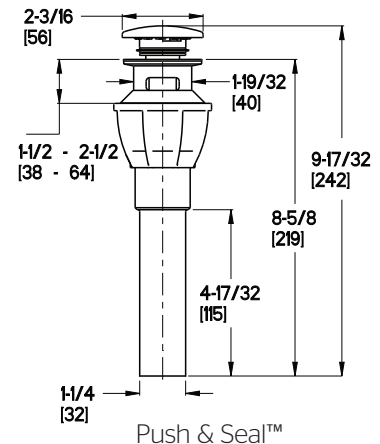
- IAPMO Certified
- CSA B125 Certified
- ASME A112.18.1
- NSF 61/9 Annex G (Low lead)
- Cal Green Compliant
- CEC Compliant
- EPA WaterSense Certification 1.2 gpm, 4.5 L/Min
- ADA Compliant-ANSI A117.1 (Lever handles only)



## Dimensions



Optional Deck and Putty Plate



Push & Seal™

Ø1 Min to Ø1-1/2 Max. Deck Hole Openings